

2J9134JBW-B12JW-B10BW

IRIDIUM/GPS Screw/Pole/Adhesive Mount

Key Features

GPS/QZSS/Galileo and IRIDIUM

- 1575 MHz
- 1616-1627 MHz

Iridium Certified

- Configurable Mount options
- Screw/Pole/Adhesive Mount options
- High Performance
- Compact Marine antenna
- Single Feed Technology
- Ground Plane Independent
- Customizable Cable and Connector
- Dimensions 130 × 110 × 74 mm
- Certificates: IP67



1. Antenna and electrical specifications

Cable 1

| Parameters | GNSS and IRIDIUM Screw Mount Antenna | |
|--------------------------|--|-------------|
| | GPS/QZSS/Galileo | IRIDIUM |
| Standards | GPS/QZSS/Galileo | IRIDIUM |
| Bands (MHz) | 1575 | 1621 |
| Frequency (MHz) | 1575.42 | 1616 - 1627 |
| Return Loss (dB) | ~-27.6 | ~-21.6 |
| VSWR | ~1.1:1 | ~1.3:1 |
| Efficiency (%) | ~93.8 | ~92.9 |
| Peak Gain (dBi) | ~5.1 | ~5.7 |
| Average Gain (dB) | ~-0.3 | ~-0.3 |
| Impedance (Ohms) | 50 | |
| Axial Ratio (dB) | 3 max | |
| Radiation Pattern | Hemispherical | |
| Polarization | RHCP | |
| Connector Type | SMA-Male Standard (Other Connectors Available) | |
| Cable Length | 300 cm Standard (Any Cable Length Available) | |
| Cable Type | LL195W Standard (Other Cables Available) | |

Antenna Measurement Conditions:

Free Space

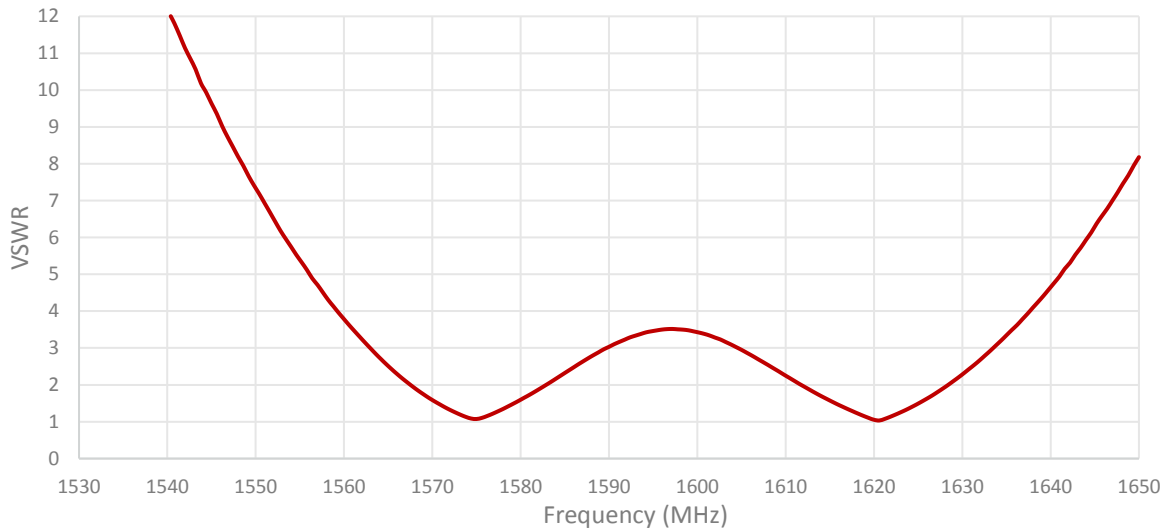
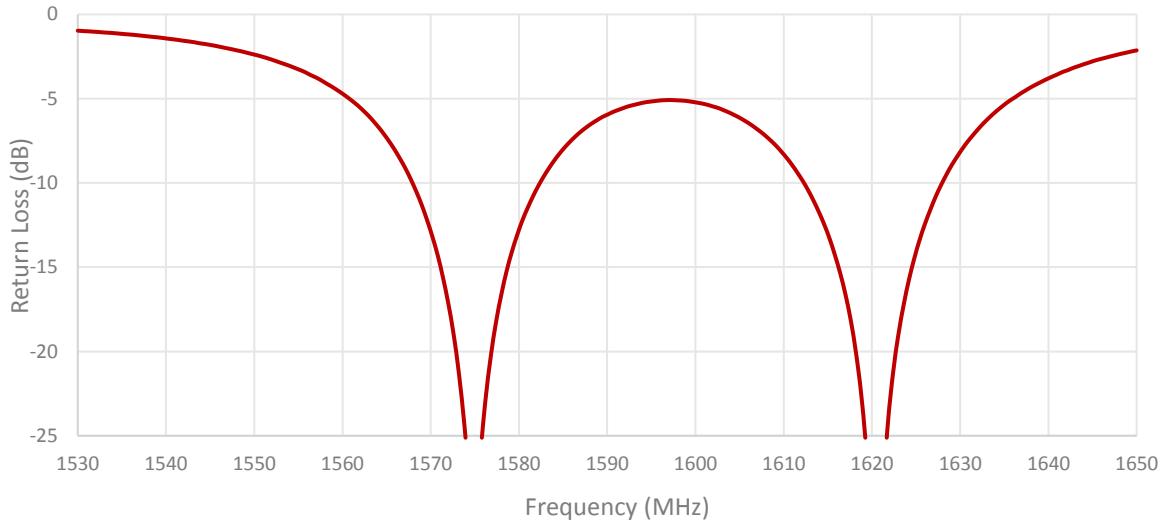
Measured in Certified CTIA 3D Anechoic Chamber

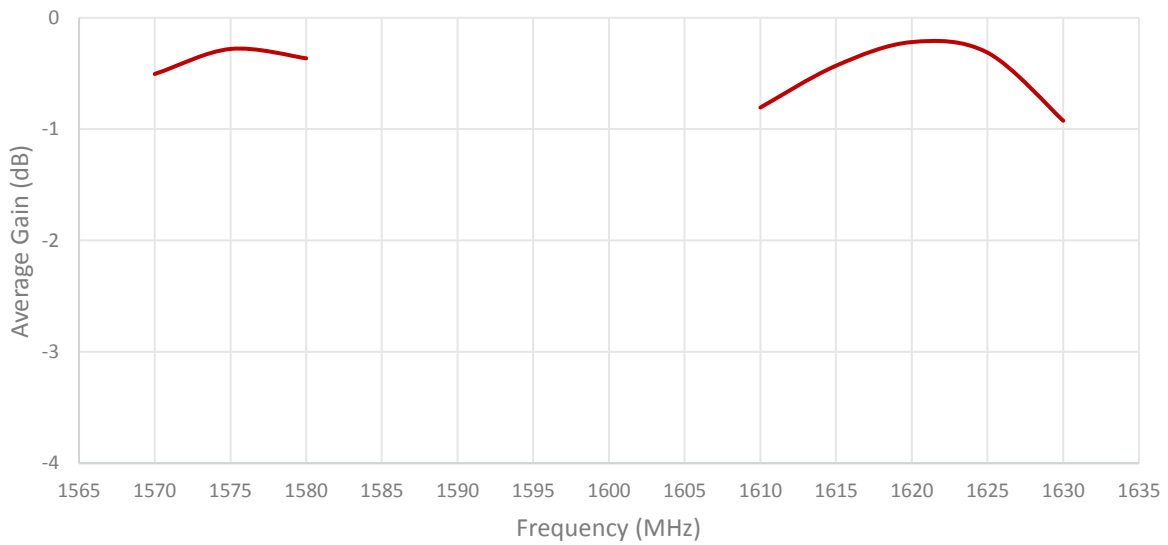
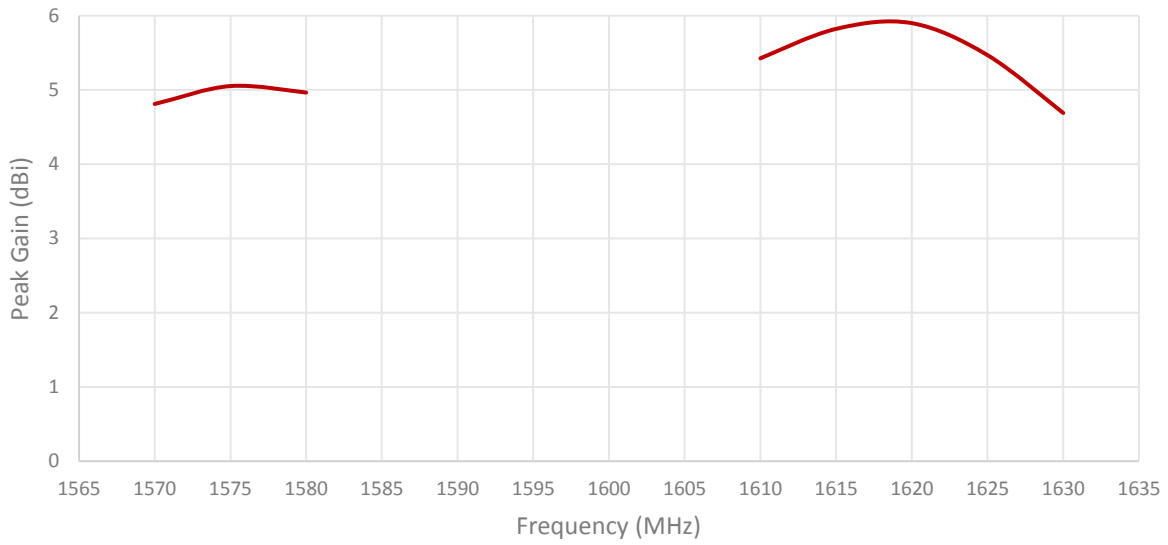
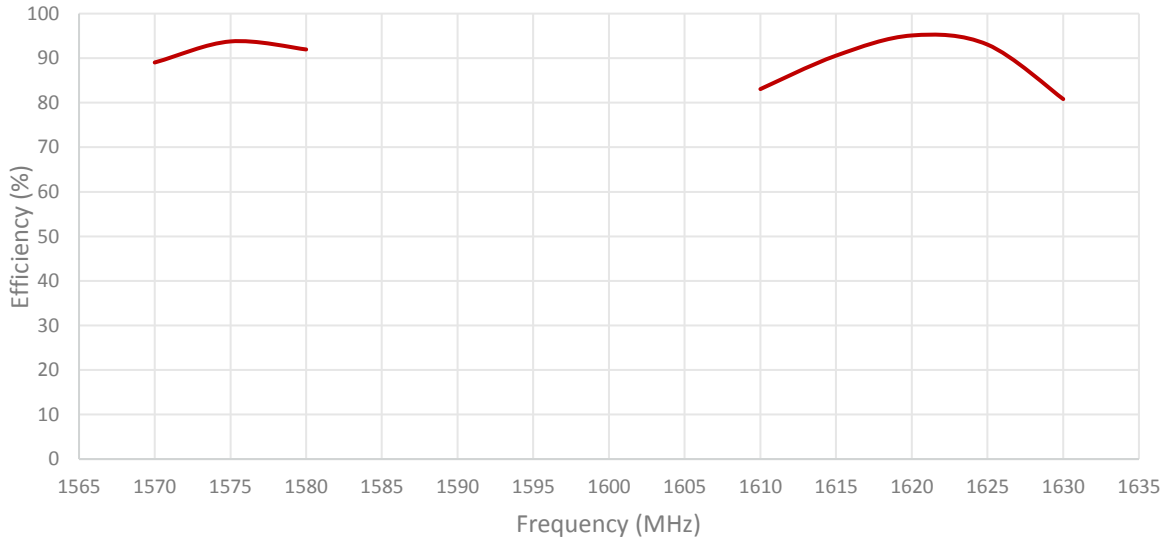
2. Mechanical and environmental specifications

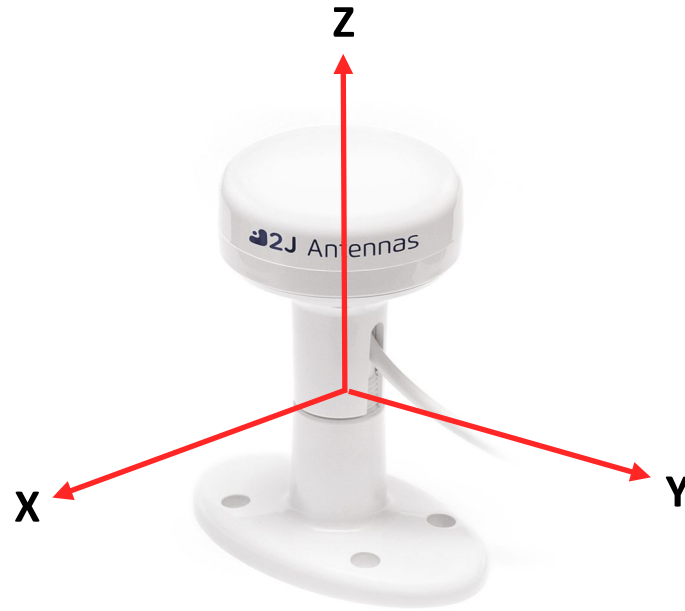
| Specifications | 2J9134JBW-B12JW-B10BW |
|----------------------------------|---------------------------|
| Mounting Type | Screw/Pole/Adhesive Mount |
| Dimensions (mm) | 130 × 110 × 74 |
| Radome Type | ABS |
| Radome Color | White |
| Antenna Base | ABS |
| Operating Temperature (C) | -40 to +85 |
| Storage Temperature (C) | -40 to +85 |
| Certificates | IP67, IRIDIUM Certified |
| Substance Compliance | RoHS |

3. Antenna parameters

Cable 1: IRIDIUM/GPS

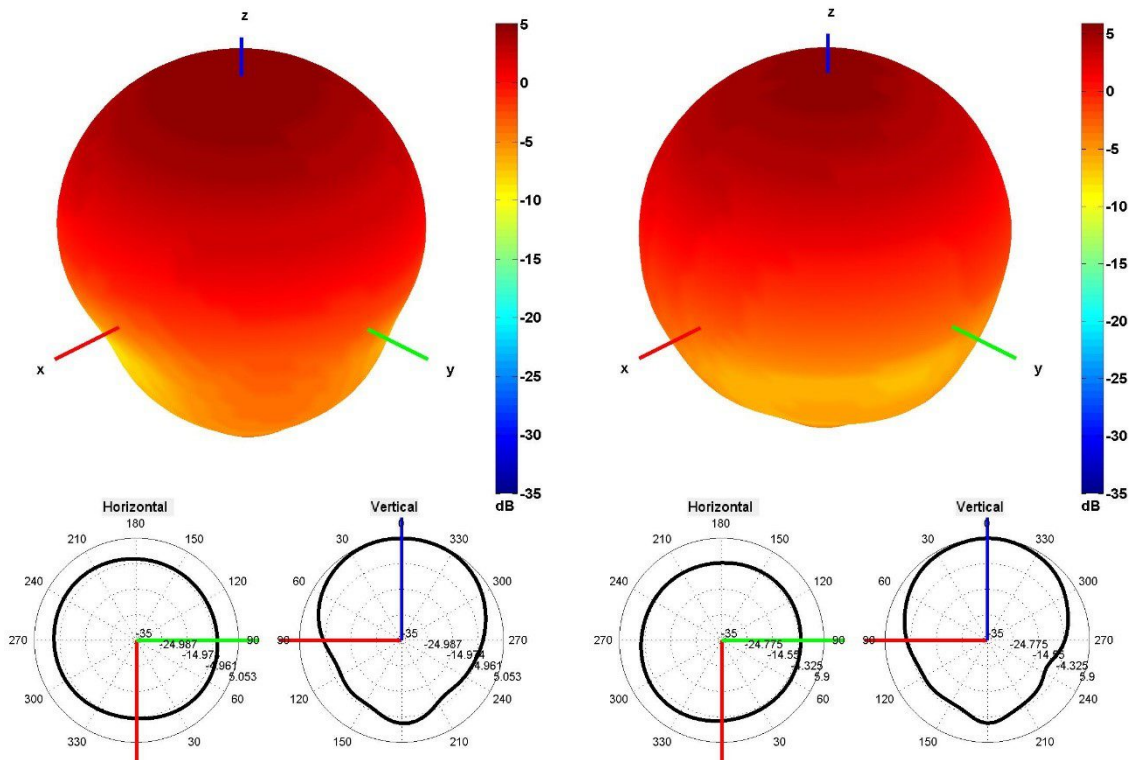






Radiation pattern reference

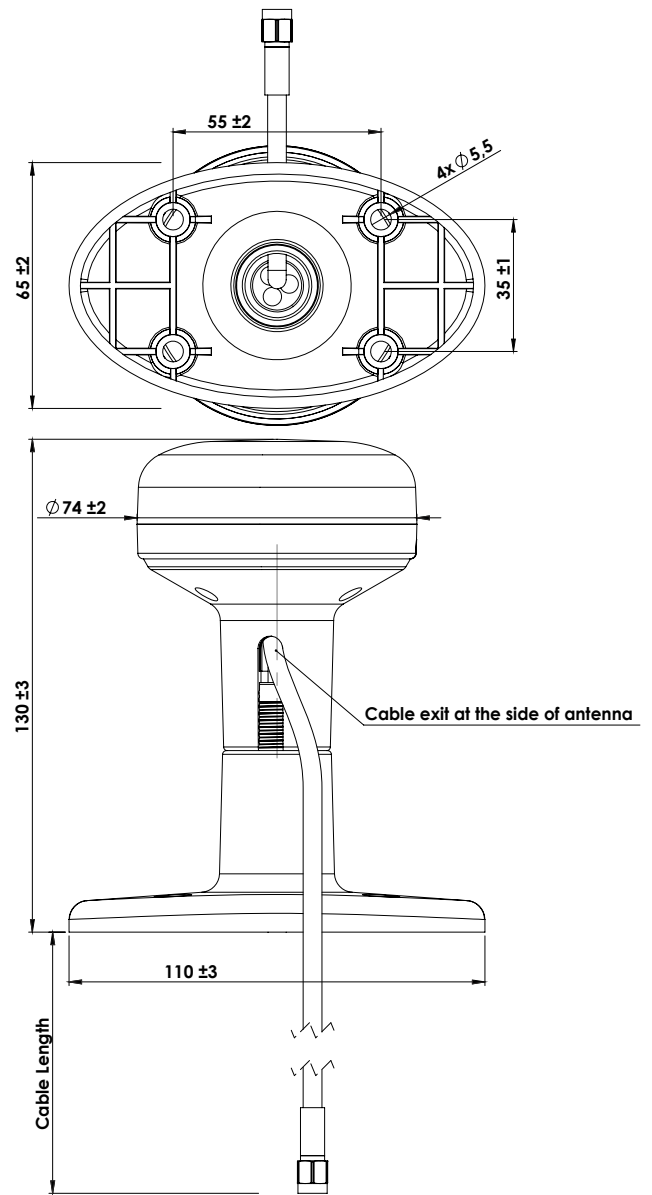
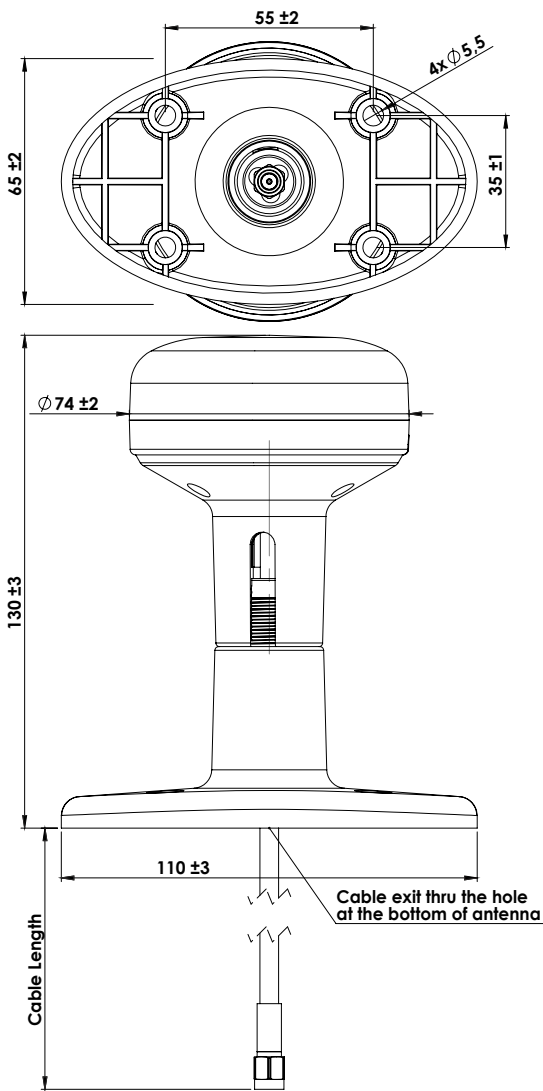
Table 1: IRIDIUM/GPS



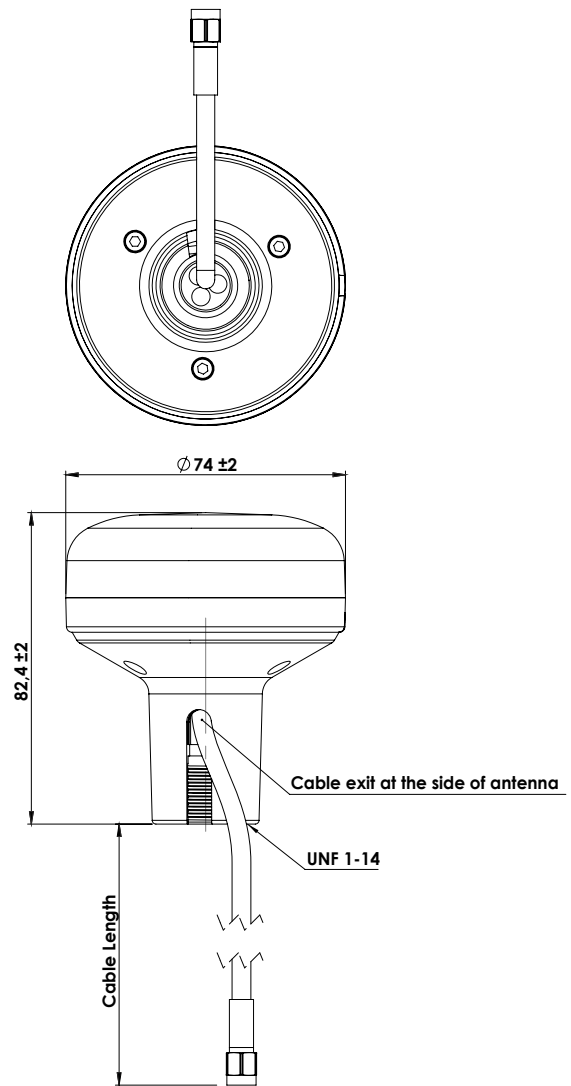
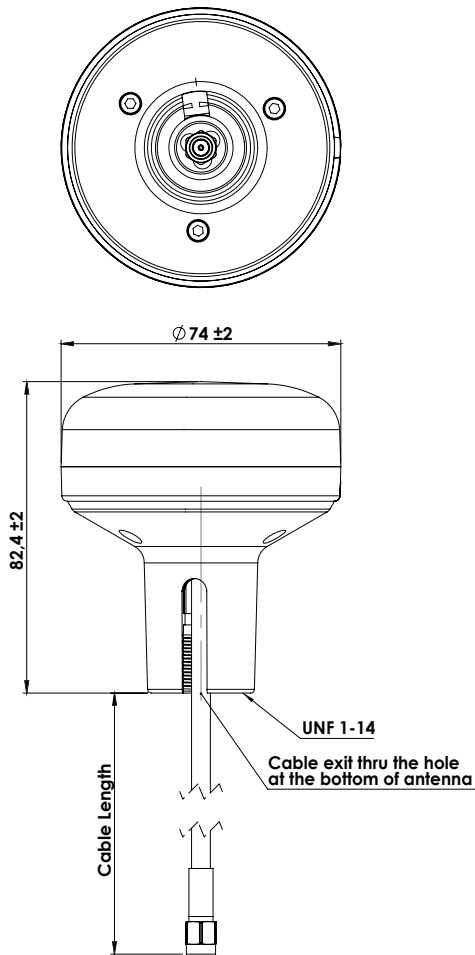
1575 and 1621 MHz Radiation pattern

4. Antenna drawings

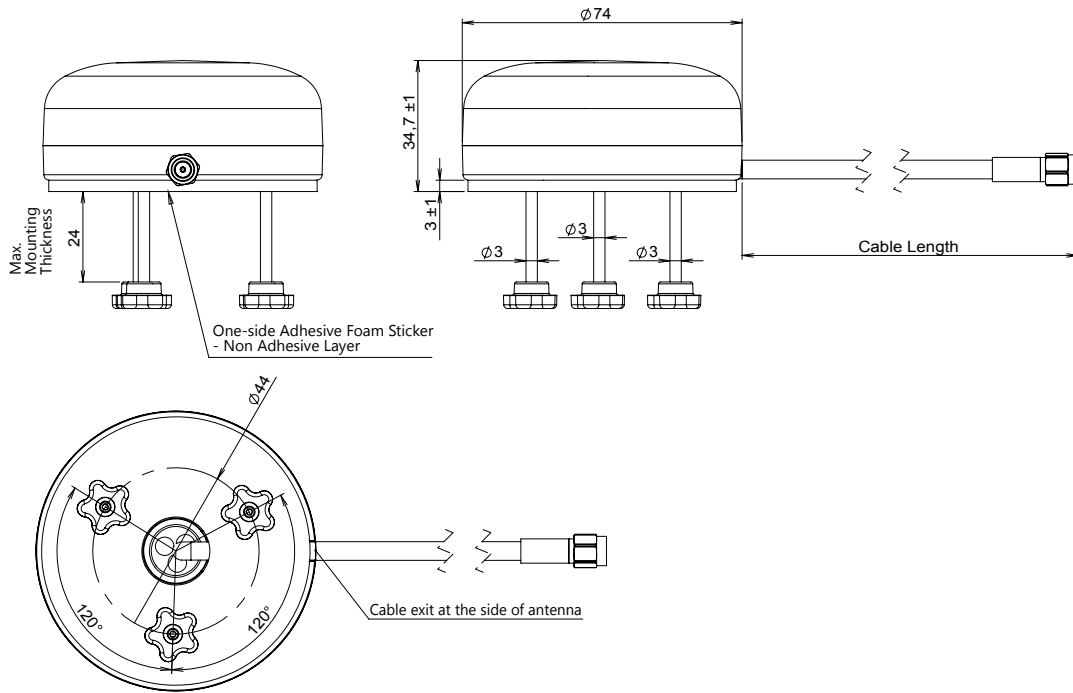
Screw Mount options using 2JB10BW Bracket



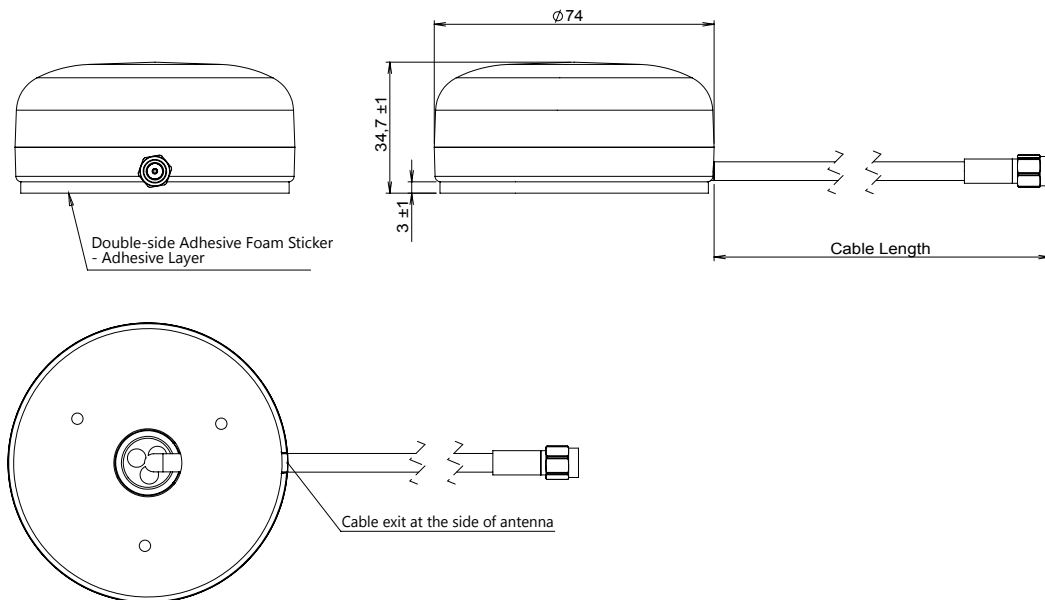
Pole Mount options using 2JB12JW Bracket



Screw Mount option



Adhesive Mount option



5. Antenna Images

