

# RADWIN

## 1Gb AC POE

### Data Sheet



#### RW-9921-101X Series

### Product Description

- » Indoor AC POE device for RADWIN radios
- » 1Gbps interface
- » Up to 55 Watts POE power output

### Product Highlights

- » Carrier class POE injector
- » Supports up to 1000BASE-T Ethernet
- » Safety and EMC Certified for FCC/CE
- » Standard IEC320 C14 connector
- » Overload, over-voltage and short circuit output protection
- » Country specific AC cable is bundled per PN

## Product Specifications:

### Output

DC Output Voltage – Rated	55VDC
POE scheme	2-pair passive POE (positive wires: 4,5, negative wires: 7,8)
DC Current per wire pair	1A@55W
Rated Power	55W
LED Status Indicator	Power

### Input

Voltage Range (Max)	90VAC to 264VAC
Frequency Range (Max)	47-63 Hz
Efficiency (Typical)	>87%
Inrush Current (Max)	105A at 230VAC

### Protections

Output Overcurrent	Supported
Output Short Circuit	Supported
Over Voltage	Supported

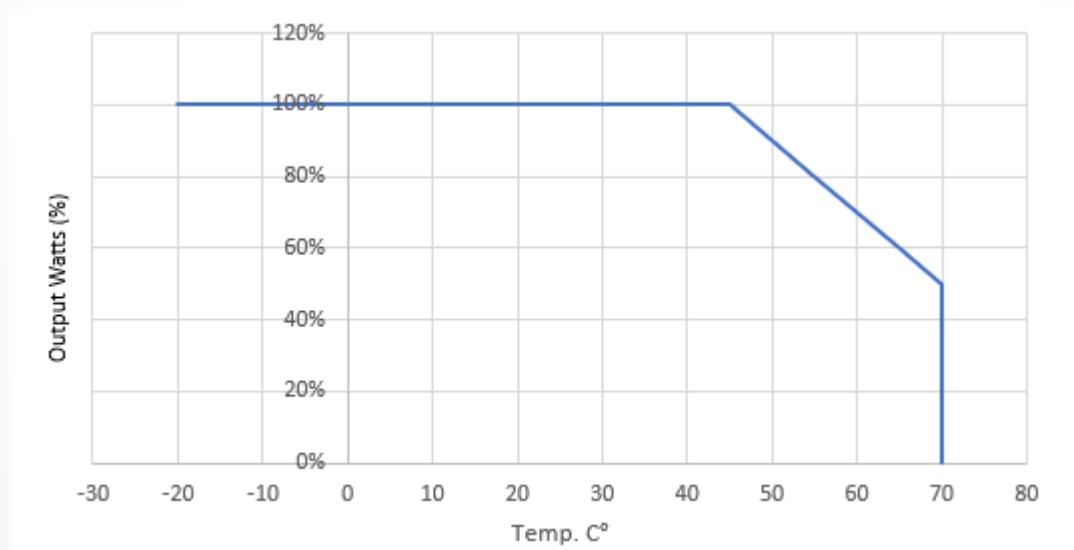
### Environmental

Operating Temperature	-20 C to +60 C (@ 35W output), -20 C to +45 C (for 55W output)
Humidity	0% to 95% RH non-condensing

### Other

Dimension	160.5*63.5*32.3mm (L*W*H)
Weight	235g

### Derating Curve



## Regulatory compliance:

### Safety

Safety Standards	cTUVus UL60950-1:2007 R12.11, CAN/CSA-C22.2 No.60950-1-07+A1:2011 IEC 60950-1:2005+A1+A2, PSE CoC No.: JD 50429668 BIS IS 13252 (PART 1):2010 / IEC 60950-1:2005 Efficiency Level VI
------------------	--

### EMC

Emission	EN 55032:2012/AC:2013 Class B EN55024 (EN61000-3-2, EN61000-3-3;IEC 61000-4-2~IEC 61000-4-6; IEC 61000-4-8; IEC 61000- 4-11) FCC Part15 Subpart B, Class B; ISED: ICES-003 Issue 5, Class B
----------	---

### Other

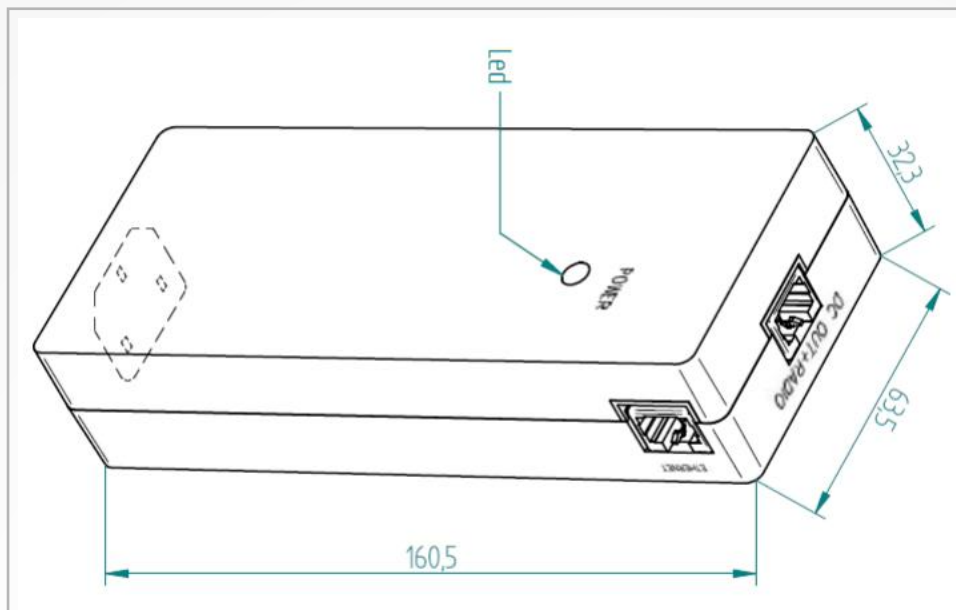
MTBF	360khrs Telcordia SR-332 Issue2
------	---------------------------------

## Product ordering:

Product Number	Name/Description	Plug type Details*
RW-9921-1011	1Gb 55W AC POE, 1.8m EU power cable	Type E (EU) 3 pin plug
RW-9921-1012	1Gb 55W AC POE, 1.8m USA power cable	Type B (North/Central America) 3 pin plug
RW-9921-1013	1Gb 55W AC POE, 1.8m UK power cable	Type G (UK) 3 pin plug
RW-9921-1014	1Gb 55W AC POE, 1.8m India power cable	Type D (India) 3 pin plug
RW-9921-1015	1Gb 55W AC POE, 1.8m China power cable	Type I (China) 3 pin plug
RW-9921-1016	1Gb 55W AC POE, 1.8m open cord	18AWG wires (Brown/Blue/Y-G)
RW-9921-1017	1Gb 55W AC POE, 1.8m Argentina power cord	Type I (Argentina) 3 pin plug
RW-9921-1018	1Gb 55W AC POE, 1.8m South Africa power cord	Type M (SA) 3 pin plug
RW-9921-101Z	1Gb 55W AC POE, 1.8m Israel power cord	Type H (Israel) 3 pin plug
RW-9921-101A	1Gb 55W AC POE, 1.8m Australia power cord	Type I (Australia) 3 pin plug
RW-9921-101B	1Gb 55W AC POE, 1.8m Brazil power cord	Type N (Brazil) 3 pin plug
RW-9921-101C	1Gb 55W AC POE, 1.8m Chile/Italy power cord	Type L (Chile/Italy) 3 pin plug

\*Plug types are according to IEC information that can be found at [www.iec.ch/worldplugs/](http://www.iec.ch/worldplugs/)

### Mechanical information:



Datasheet information can be changed by manufacturer without prior notice