

# 2J7402B

## 2.4 GHz ISM Screw Mount

### Key Features

#### 2.4 GHz ISM

- 2410-2490 MHz

Screw Mount

Ground Plane Dependent

Customizable Cable and Connector

Dimensions  $\varnothing 60 \times 15.3$  mm

Certificates: IP67, IP69K



## 1. Antenna and electrical specifications

Parameters	2.4 GHz ISM Antenna
<b>Standards</b>	WiFi, BT, ZigBee, ISM
<b>Band (MHz)</b>	2.4 GHz
<b>Frequency (MHz)</b>	2410-2490
<b>Return Loss (dB)</b>	~-15.5
<b>VSWR</b>	~1.4:1
<b>Efficiency (%)</b>	~56.5
<b>Peak Gain (dBi)</b>	~3.8
<b>Average Gain (dB)</b>	~-2.5
<b>Impedance (Ohm)</b>	50
<b>Polarisation</b>	Linear
<b>Radiation Pattern</b>	Omni-Directional
<b>Max. Input Power (W)</b>	25
<b>Connector Type</b>	SMA-Male Standard (Other Connectors Available)
<b>Cable Length</b>	300 cm Standard (Any Cable Length Available)
<b>Cable Type</b>	LMR100 Standard (Other Cables Available)

### Antenna Measurement Conditions:

Mounted on 30 x 30 cm Metal Plate

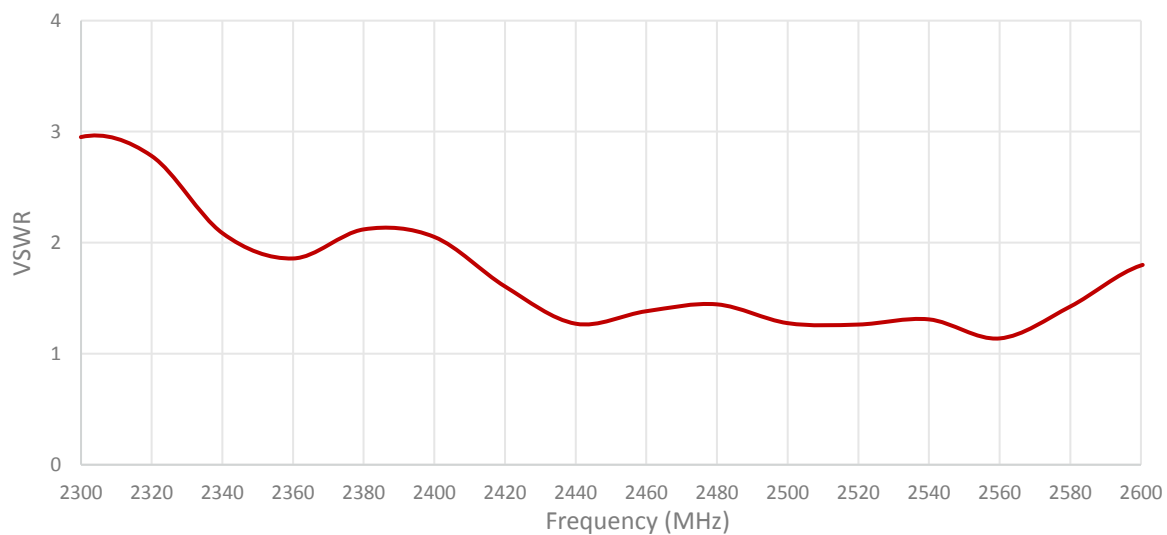
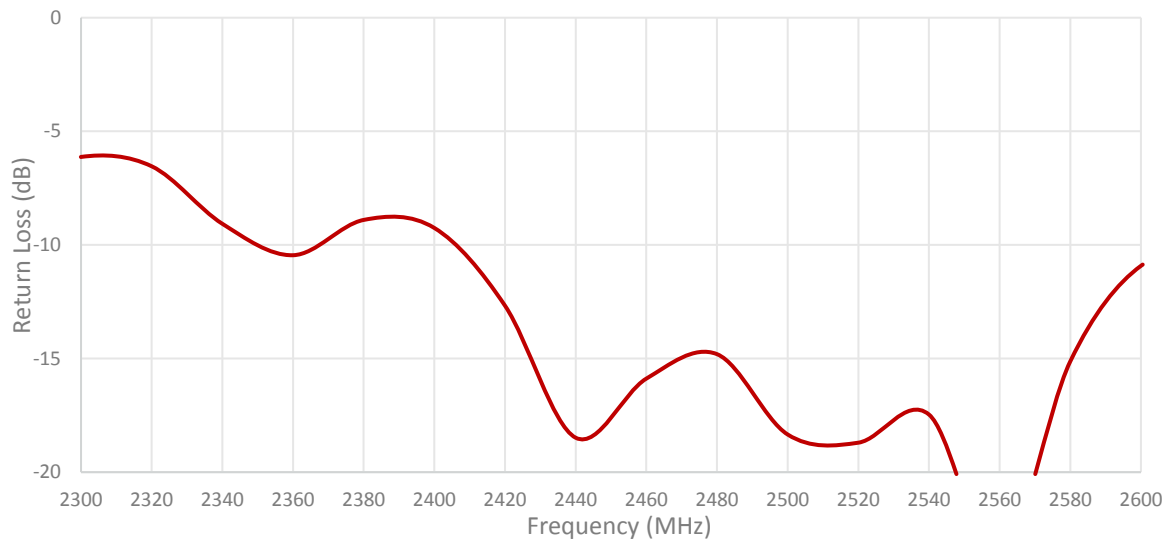
100 cm of LMR100 Cable

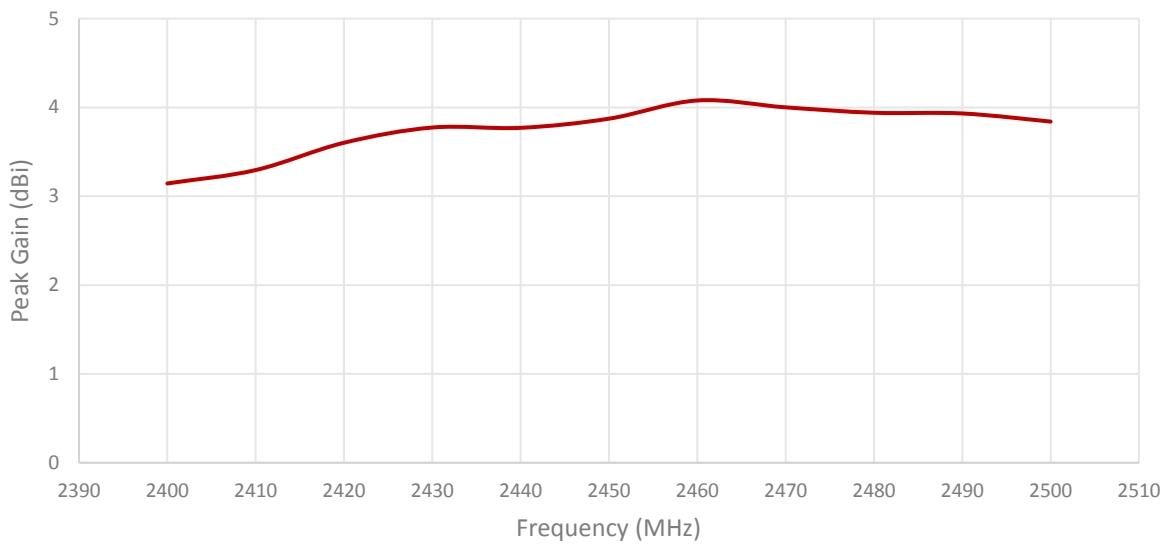
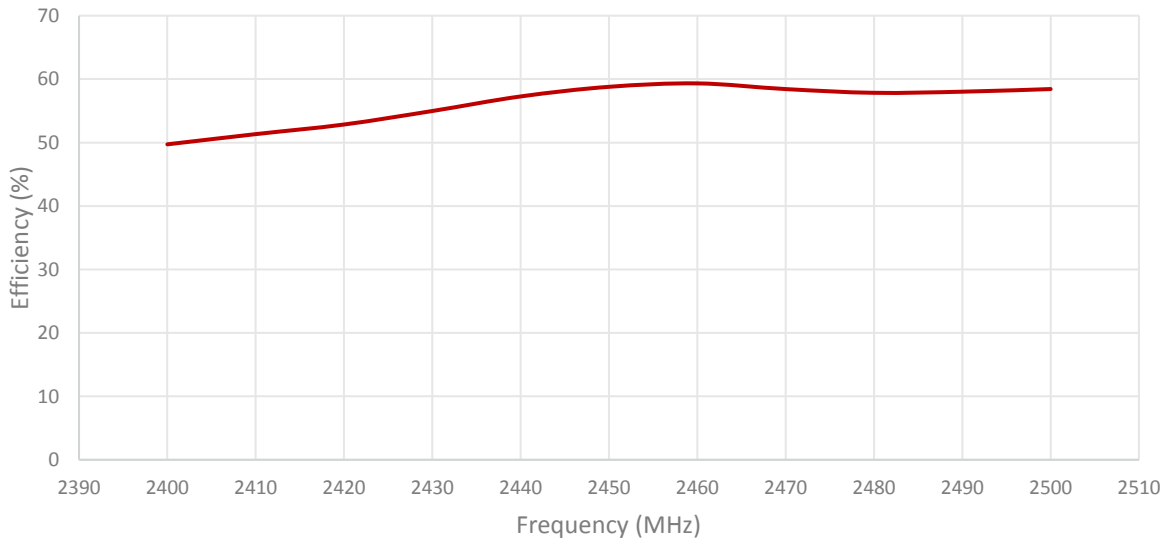
Measured in Certified CTIA 3D Anechoic Chamber

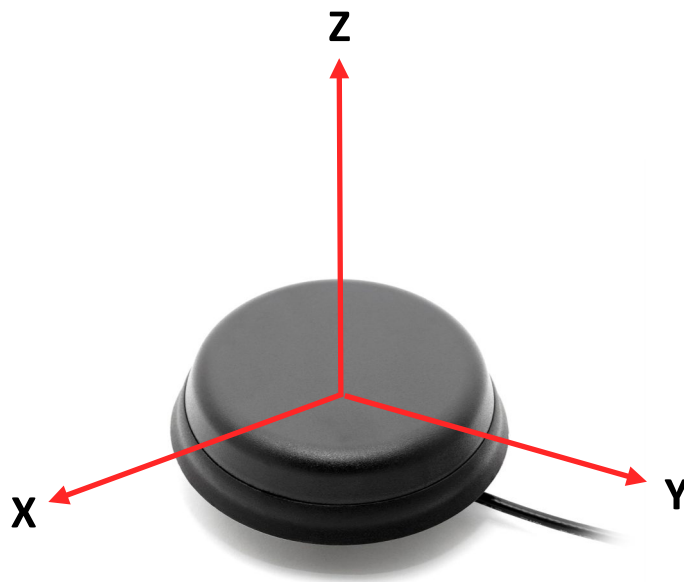
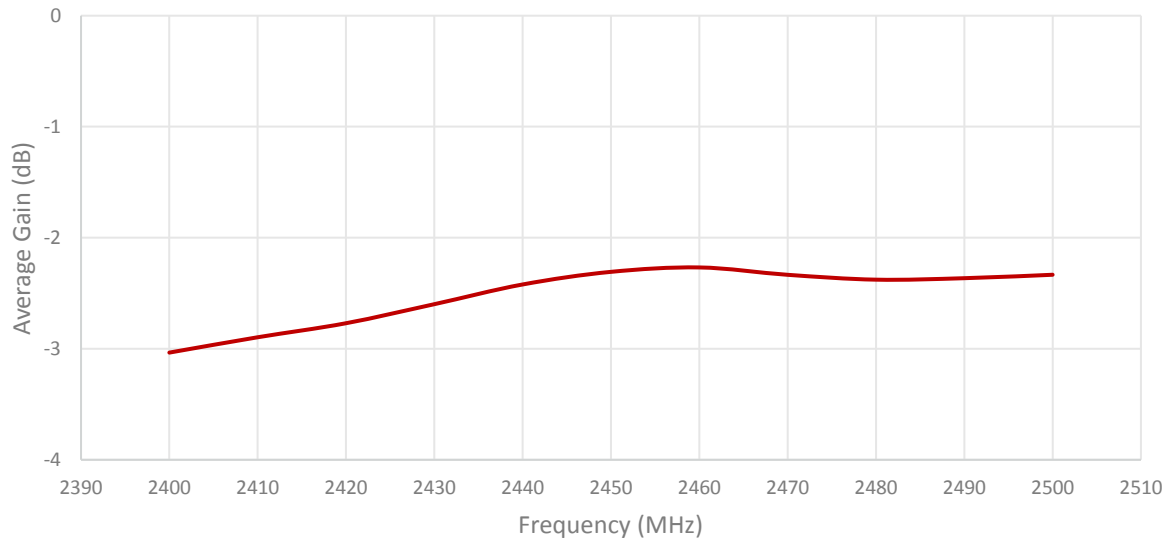
## 2. Mechanical and environmental specifications

Specifications	2J7402B
<b>Mounting Type</b>	Screw Mount
<b>Dimensions (mm)</b>	Ø 60 × 15.3
<b>Max. Tighten Torque (Nm)</b>	6 Nm
<b>Radome Type</b>	PC+ASA
<b>Radome color</b>	Black
<b>Antenna Base</b>	Zamak
<b>Operating Temperature (C)</b>	-40 to +85
<b>Storage Temperature (C)</b>	-40 to +85
<b>Substance Compliance</b>	RoHS
<b>Certificates</b>	IP67, IP69K

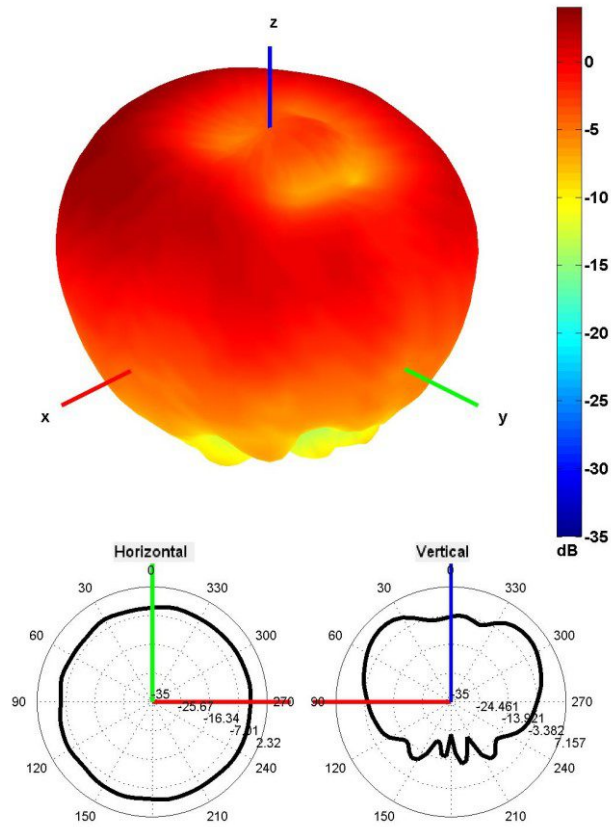
### 3. Antenna parameters





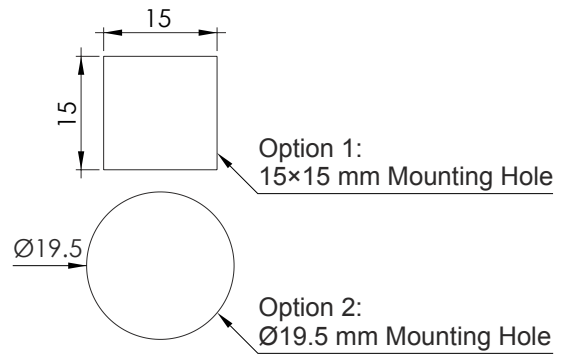
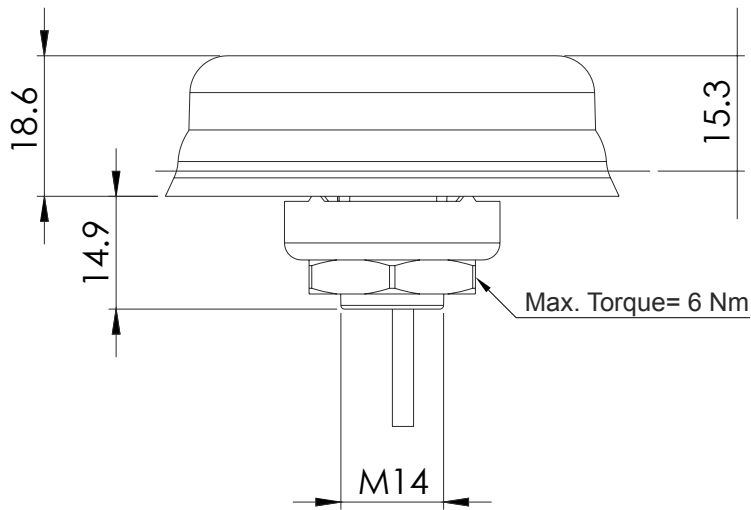
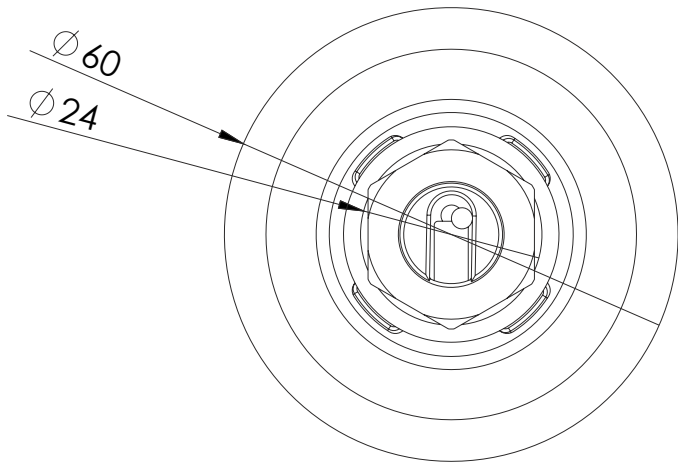


Radiation pattern reference



2450 MHz Radiation pattern

## 4. Antenna drawings



**Note: Dimensions are in millimeters**  
**\*Dimensions are after mounting**  
**\*\*Max. Torque= 6 Nm**

## 5. Antenna Images

