



MSTronic Co., Ltd.

2F, 12, Gongshang Rd., Wugu District, New Taipei City, 248 Taiwan

TEL:886-2-2293-0159 FAX:886-2-2292-8851

E.MAIL: mse@mse.com.tw

WEB: <http://www.mse.com.tw>

SPECIFICATION

MIT-65G-4856PNR

112W DC/DC Gigabit Passive PoE Injector

1. INPUT :

- 1.1 Input Voltage: 40Vdc to 72Vdc Normal = 56V
- 1.2 Input Current: 3.6A at 40Vdc @ Full Load
2.6 A at 56Vdc @ Full Load
2.0 A at 72Vdc @ Full Load

2. OUTPUT :

2.1 Output Voltage & Current:

OUTPUT	56V
Max. load	2.0A
Power	112W
Min. Load	0.01A
Load reg. %	5%
Line reg. %	1%
Ripple %	1%
Noise %	1%

TOTAL POWER :112W

Note 1: Noise bandwidth is from DC to 20Mhz. Ripple & Noise is measured by Paralleling a 0.1uF metalize capacitor on the test point.

Note 2: Output up to 112W at 50C. De-rate output once above 50C, 100W maximum when 70C

3. EFFICIENCY : 80% min at Full Load , 40Vdc ~ 72Vdc Input Voltage

4. PROTECTION

4.1 Short Circuit Protection

Output Short GND Terminal will not damage the Power Supply and will Auto-Reset.

4.2 Input with Fuse Protection.



MSTronic Co., Ltd.

2F, 12, Gongshang Rd., Wugu District, New Taipei City, 248 Taiwan

TEL:886-2-2293-0159 FAX:886-2-2292-8851

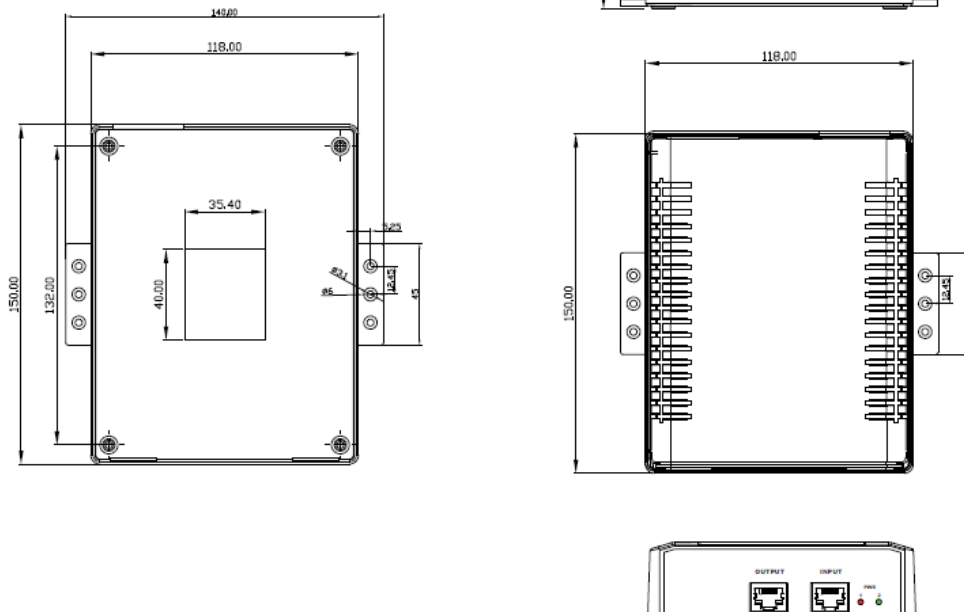
E.MAIL: mse@mse.com.tw

WEB: <http://www.mse.com.tw>

- 4.3 Safety Standard : meet UL1950, CSA 22.2 &TUV EN60950-1.
- 4.4 EMC : meet FCC Class B , EN55032 Class B
- 4.5 Over Current : 110% ~ 130% @All DC Input F.L
- 4.6 Input Reverse Protection-----NO Work
- 4.7 INPUT LOW Voltage Protection Point : 33.2V±0.3V
- 4.8 OUTPUT Over Voltage Protection Point : 59V±0.5V

5. GENERAL DESCRIPTION

- 5.1 Operation Temperature: -40 - +70 Degree
- 5.2 Storage Temperature: -40 - +85 Degree
- 5.3 Operation Humidity: 5% - 90%
- 5.4 Cooling: Free air cooling
- 5.5 SIZE : 140*150*40 (L*W*H)m/m



6. Indication :

- 6.1 POWER OK the LED2 will be "GREEN"



MSTronic Co., Ltd.

2F, 12, Gongshang Rd., Wugu District, New Taipei City, 248 Taiwan

TEL:886-2-2293-0159 FAX:886-2-2292-8851

E.MAIL: mse@mse.com.tw

WEB: <http://www.mse.com.tw>

7. CHANNEL CONNECTORS & PINOUT :

RJ-45 Input (only Data)		
Pin	Symbol	Description
1	BI_DA+	Data Pair A+
2	BI_DA-	Data Pair A-
3	BI_DB+	Data Pair B+
4	BI_DC+	Data Pair C+
5	BI_DC-	Data Pair C-
6	BI_DB-	Data Pair B-
7	BI_DD+	Data Pair D+
8	BI_DD-	Data Pair D-
9	Shield	Connector shielding

RJ-45 Output (Data & Power)		
Pin	Symbol	Description
1	BI_DA+, Vo+	Data Pair A+, Output power (+)
2	BI_DA-, Vo+	Data Pair A-, Output power (+)
3	BI_DB+, Vo-	Data Pair B+, Output power (-)
4	BI_DC+, Vo+	Data Pair C+, Output power (+)
5	BI_DC-, Vo+	Data Pair C-, Output power (+)
6	BI_DB-, Vo-	Data Pair B-, Output power (-)
7	BI_DD+, Vo-	Data Pair D+, Output power (-)
8	BI_DD-, Vo-	Data Pair D-, Output power (-)
9	Shield	Connector shielding

Note :

1. the model is isolated design, the output +/- or input +/- can be shorted to ground (FG).
2. MIT-65G-56PNN is Pin1,2=(-),3,6=(+)
3. MIT-65G-56PNR is Pin1,2=(+),3,6=(-)



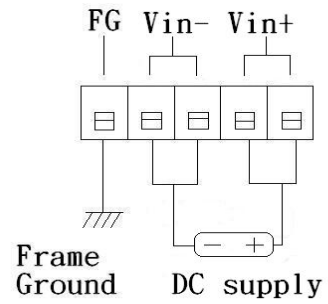
MSTronic Co., Ltd.

2F, 12, Gongshang Rd., Wugu District, New Taipei City, 248 Taiwan

TEL:886-2-2293-0159 FAX:886-2-2292-8851

E.MAIL: mse@mse.com.tw

WEB: <http://www.mse.com.tw>





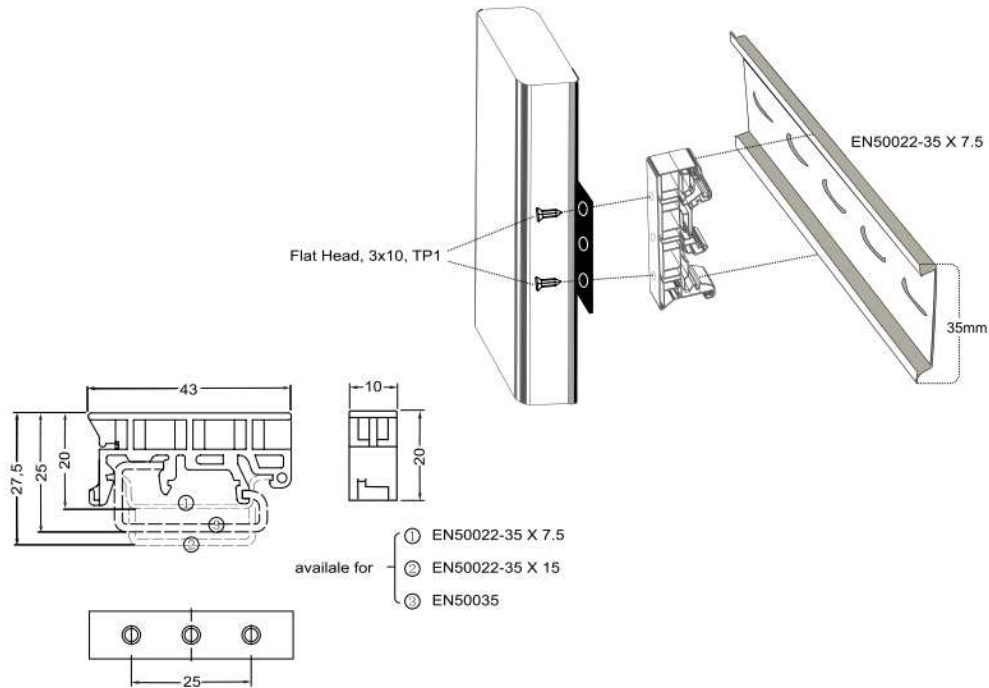
MSTronic Co., Ltd.

2F, 12, Gongshang Rd., Wugu District, New Taipei City, 248 Taiwan

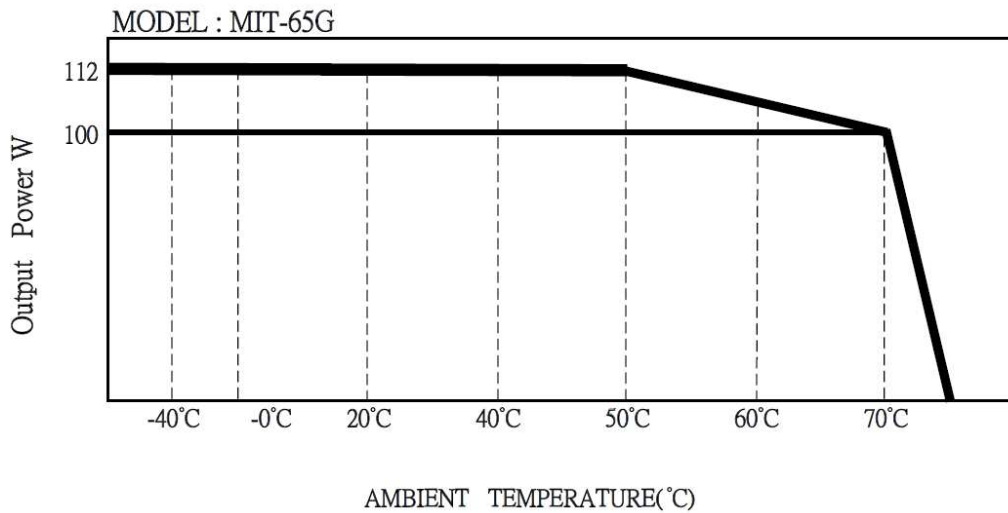
TEL:886-2-2293-0159 FAX:886-2-2292-8851

E.MAIL: mse@mse.com.tw

WEB: <http://www.mse.com.tw>



RATING TEMPERATURE LIMITS AND OUTPUT POWER RANGE



Output up to 112W at 50C. De-rate output once above 50C, 100W maximum when 70C



MSTronic Co., Ltd.

2F, 12, Gongshang Rd., Wugu District, New Taipei City, 248 Taiwan

TEL:886-2-2293-0159 FAX:886-2-2292-8851

E.MAIL: mse@mse.com.tw

WEB: <http://www.mse.com.tw>

Certificate

Issue Date: May 23, 2017
Ref. Report No. ISL-17LE326CE

Product Name : Poe Injector
Model(s) : MIT-65G-4856; MIT-65-4856D
Responsible Party : MSTronic Co., Ltd.
Address : 2F, 12, Gongshang Rd., Wugu District, New Taipei City, 248 Taiwan

We, International Standards Laboratory, hereby certify that:

The device bearing the trade name and model specified above has been shown to comply with the applicable technical standards as indicated in the measurement report and was tested in accordance with the measurement procedures specified in European Council Directive- EMC Directive 2014/53/EU. The device was passed the test performed according to :



Standards:

EN 55032:2015+AC:2016, CISPR 32: 2015+COR1:2016
AS/NZS CISPR 32:2015
EN 55024: 2010+A1:2015 and CISPR 24: 2010+A1:2015
EN 61000-4-2: 2009 and IEC 61000-4-2: 2008
EN 61000-4-3: 2006+A1: 2008 +A2: 2010 and
IEC 61000-4-3:2006+A1: 2007+A2: 2010
EN 61000-4-4:2012 and IEC 61000-4-4:2012
EN 61000-4-5: 2014 and IEC 61000-4-5: 2014
EN 61000-4-6:2014+AC:2015 and IEC 61000-4-6:2013
EN 61000-4-8: 2010 and IEC 61000-4-8: 2009