



# MSTronic Co., Ltd.

2F, 12, Gongshang Rd., Wugu District, 248 New Taipei City, Taiwan

TEL:886-2-2293-0159 FAX:886-2-2292-8851

E.MAIL: mse@mse.com.tw

WEB: <http://www.mse.com.tw>

## MIT-96T-A2456BDNM

24VAC/DC 802.3at 5G/10G PoE Injector

### SPECIFICATION

1. INPUT :

- 1.1 Input Voltage: 22Vac to 30Vac Normal=24Vac
- 1.2 Input Current: 2.98A at 22Vac  
2.81A at 24Vdc  
2.27A at 30Vdc

2. OUTPUT :

2.1 Output Voltage & Current:

OUTPUT	+56V
Max. load	0.625A
Power	35W
Min. Load	0A
Load reg. %	5%
Line reg. %	1%
Ripple %	1%
Noise %	1%

TOTAL POWER : 35W

Note 1: Noise bandwidth is from DC to 20Mhz. Ripple & Noise is measured by Paralleling a 0.1uF metalize capacitor on the test point.

3. EFFICIENCY : 75% min at Full Load , 22 ~ 30Vac Input Voltage

4. PROTECTION

4.1 Short Circuit Protection

Output Short GND Terminal will not damage the Power Supply and will Auto-Reset.

4.2 Input with Fuse Protection.

4.3 Safety Standard: meet EN62368-1, EN45545

4.4 EMC : meet FCC Class B, EN55032 Class B, EN60945, EN50155,

4.5 PoE : compliant to 802.3at mode B

4.6 Over Current : 802.3at Limits @24Vac Input F.L



# MSTronic Co., Ltd.

2F, 12, Gongshang Rd., Wugu District, 248 New Taipei City, Taiwan

TEL:886-2-2293-0159 FAX:886-2-2292-8851

E.MAIL: mse@mse.com.tw  
WEB: <http://www.mse.com.tw>

## Warning :

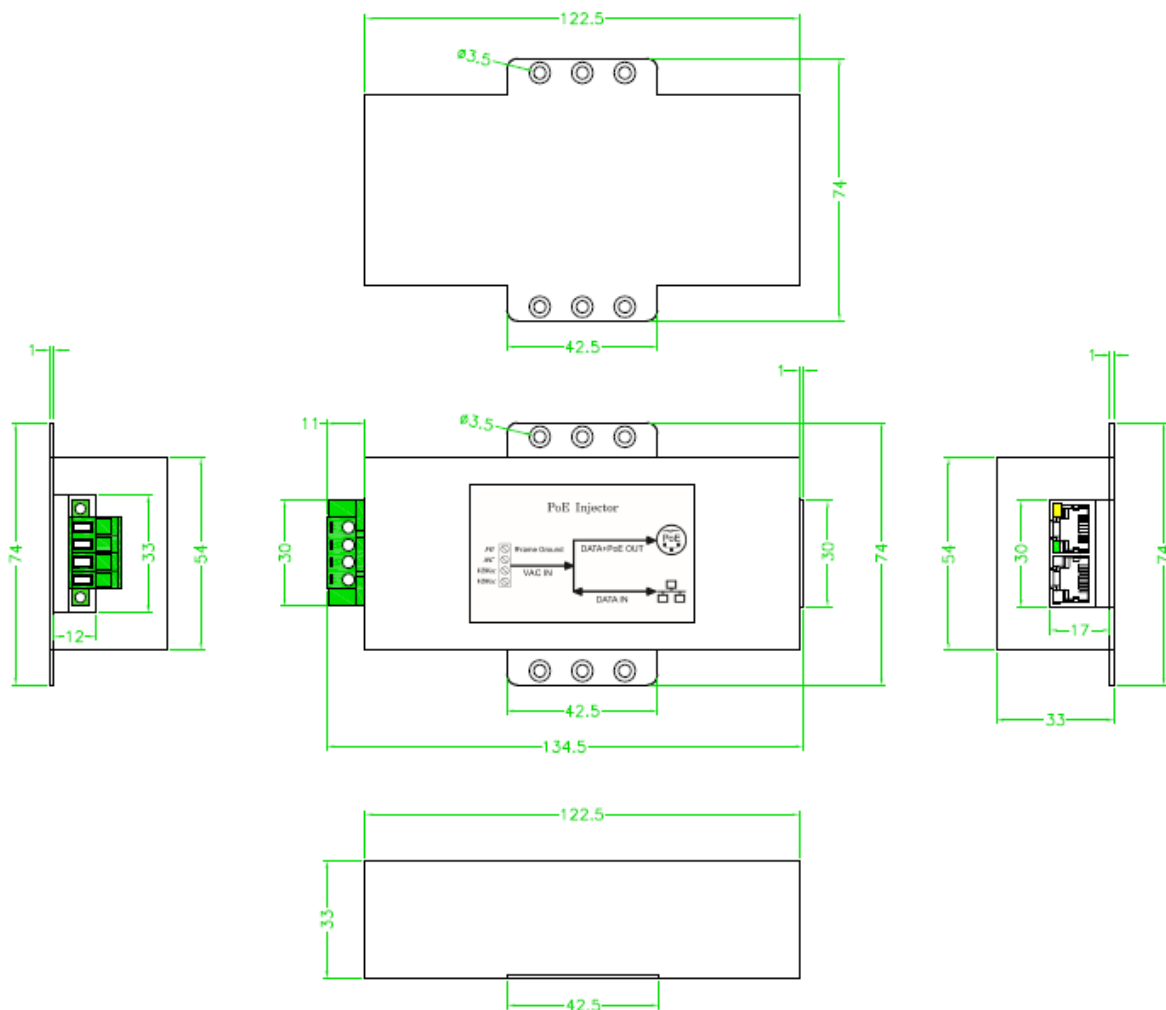
Input Fuse(T4A-63V) Must Installation at Line and Line. (The fuse must be installed on one of the wires.)

**It is strongly recommended to install an inductor at the input (minimum 1mH)**

The ground of the power supply must be connected to the ground of the load, and also to the ground of the machine

## 5. GENERAL DESCRIPTION

- 5.1 Operation Temperature: -40C - +50C
- 5.2 Storage Temperature: -40C - +85C
- 5.3 Operation Humidity: 5% - 90%
- 5.4 Cooling: Free air cooling
- 5.5 Dimensions: 122.5\*74\*33 (L\*W\*H)m/m DIN rail mountable





# MSTronic Co., Ltd.

2F, 12, Gongshang Rd., Wugu District, 248 New Taipei City, Taiwan

TEL:886-2-2293-0159 FAX:886-2-2292-8851

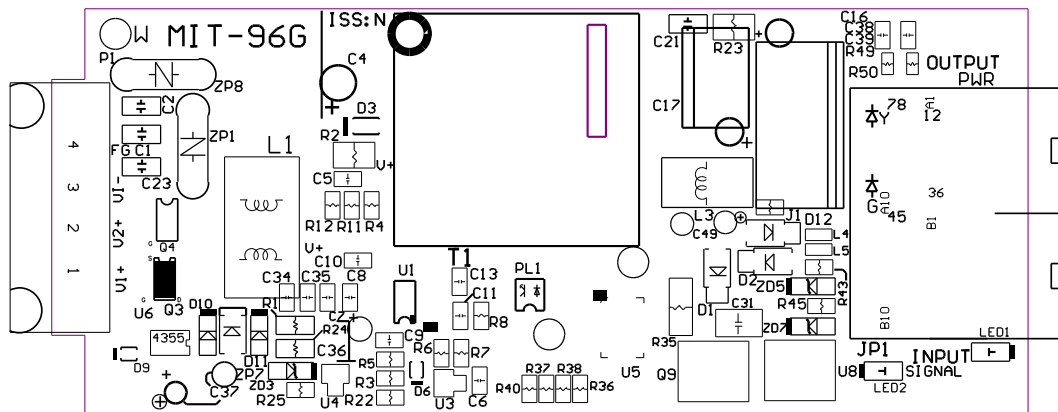
E.MAIL: mse@mse.com.tw

WEB: <http://www.mse.com.tw>

## 6. Indicator:

6.1 power ready: YELLOW on

6.2 802.3at output: GREEN on



## 7. RJ45 Connected and pin out: @1000MBASE (5G@CAT6A)

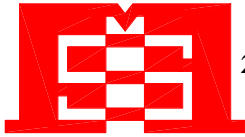
RJ-45 Input (Data Only)			RJ-45 Output (Data & Power)	
Pin	Symbol	Description	Symbol	Description
1	BI_DA+	Data Pair A+	BI_DA+	Data Pair A+
2	BI_DA-	Data Pair A-	BI_DA-	Data Pair A-
3	BI_DB+	Data Pair B+	BI_DB+	Data Pair B+
4	BI_DC+	Data Pair C+	+Vdc + BI_DC+	power(+)+Data Pair C+
5	BI_DC-	Data Pair C-	+Vdc + BI_DC-	power(+)+Data Pair C-
6	BI_DB-	Data Pair B-	BI_DB-	Data Pair B-
7	BI_DD+	Data Pair D+	-Vdc + BI_DD+	power(-)+Data Pair D+
8	BI_DD-	Data Pair D-	-Vdc + BI_DD-	power(-)+Data Pair D-

Note :

1. the model is isolated design.

2. 5Gbps@100m/70C

10Gbps@50m/25C



# MSTronic Co., Ltd.

2F, 12, Gongshang Rd., Wugu District, 248 New Taipei City, Taiwan

TEL:886-2-2293-0159 FAX:886-2-2292-8851

E.MAIL: mse@mse.com.tw

WEB: <http://www.mse.com.tw>

