



MSTronic Co., Ltd.

2F, 12, Gongshang Rd., Wugu District, New Taipei City, Taiwan

TEL:886-2-2293-0159 FAX:886-2-2292-8851

E.MAIL: mse@mse.com.tw

WEB: <http://www.mse.com.tw>

MIT-24G-5224AC PoE Splitter DC/AC, Gigabit, 802.3bt

SPECIFICATION

1. INPUT :

- 1.1 Input Voltage: DC40V to DC58V NORMAL= 48V
- 1.2 Input Current: 1.53A at 40Vdc @ FULL
1.28A at 48Vdc @ FULL
1.06A at 58Vdc @ FULL

2. OUTPUT :

2.1 Output Voltage & Current & Waveform :

OUTPUT	24Vac	OUTPUT	Waveform
Max. load	2.17A	Category	Square
Power	52W Max	Frequency	60hz±5hz
Min. Load(2)	0A		
Load reg. %	5%		
Line reg. %	1%		

TOTAL POWER : 52W

3. EFFICIENCY : 80% min @48Vin dc

4. PROTECTION

4.1 Short Circuit Protection

output Short GND Terminal will not damage the Power Supply and will Auto-Reset.

Over Load Protection is flyback mode , auto-recovery.

4.2 Operation frequency Switch is 70KHZ

4.3 Isolation Voltage : 1500Vdc

4.4 Isolation Resistance : 100M ohms (min)

4.5 Input Set class Resistance : 25K ohms

4.6 Maximum Load : 150% over load

4.7 PD = Type :4 , Class : 7





MSTronic Co., Ltd.

2F, 12, Gongshang Rd., Wugu District, New Taipei City, Taiwan

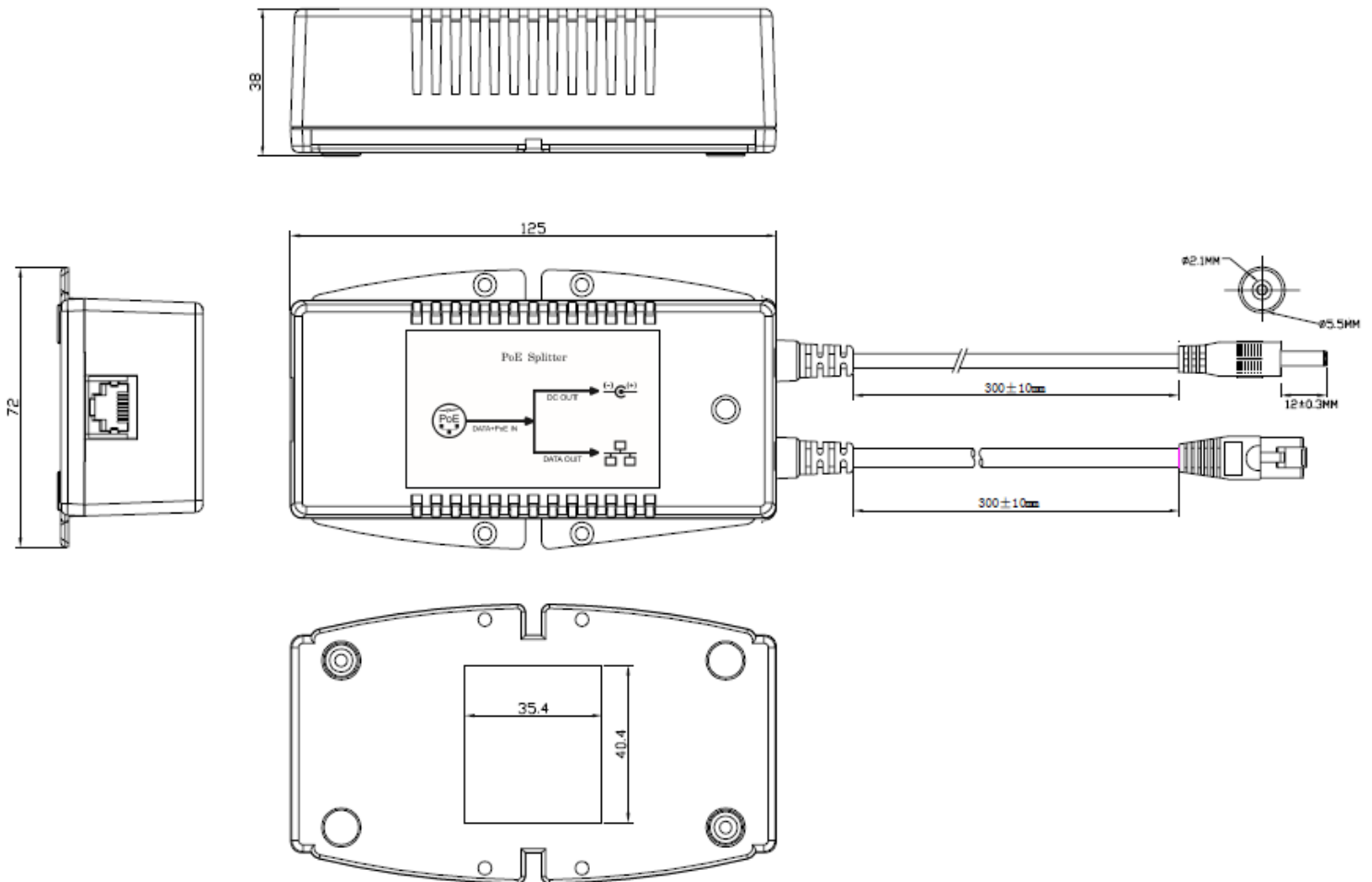
TEL:886-2-2293-0159 FAX:886-2-2292-8851

E.MAIL: mse@mse.com.tw

WEB: <http://www.mse.com.tw>

5. GENERAL DESCRIPTION

- 5.1 Operation Temperature: -25 - +50 Degree
- 5.2 Storage Temperature: -40 - +85 Degree
- 5.3 Operation Humidity: 5% - 90% @45C
- 5.4 Cooling: Free air cooling
- 5.5 SIZE : 125*72*38 (L*W*H)m/m





MSTronic Co., Ltd.

2F, 12, Gongshang Rd., Wugu District, New Taipei City, Taiwan

TEL:886-2-2293-0159 FAX:886-2-2292-8851

E.MAIL: mse@mse.com.tw

WEB: <http://www.mse.com.tw>

6. CHANNEL CONNECTORS & PINOUT:

6.1 Power-Hub RJ45 Input Socket (per channel) data & Power-Connected to DTE

RJ-45 Input (Data & Power)		
Pin	Symbol	Description
1	-Vdc + BI_DA+	power(+/-)+Data Pair A+
2	-Vdc + BI_DA-	power(+/-)+Data pair A-
3	+Vdc + BI_DB+	power(+/-)+Data Pair B+
4	+Vdc + BI_DC+	power(+/-)+Data Pair C+
5	+Vdc + BI_DC-	power(+/-)+Data Pair C-
6	+Vdc + BI_DB-	power(+/-)+Data Pair B-
7	-Vdc + BI_DD+	power(+/-)+Data Pair D+
8	-Vdc + BI_DD-	power(+/-)+Data Pair D-
9	Shield	Connector shielding

6.2 Power-Hub RJ45 Output Socket (per channel) data

RJ-45 Output (only Data)		
Pin	Symbol	Description
1	BI_DA+	Data Pair A+
2	BI_DA-	Data Pair A-
3	BI_DB+	Data Pair B+
4	BI_DC+	Data Pair C+
5	BI_DC-	Data Pair C-
6	BI_DB-	Data Pair B-
7	BI_DD+	Data Pair D+
8	BI_DD-	Data Pair D-
9	Shield	Connector shielding

6.3 AC Power Plug Diameter(DTE) : 5.5mm * 2.1mm * 12mm

Supply of polarity : Inside is (ACV) , Outside is (ACV)

7. E M I Meet FCC Class B Radiation standard

 Meet EN55022 Class B Radiation standard

8. Indicator

GREEN LED = AC Output



MSTronic Co., Ltd.

2F, 12, Gongshang Rd., Wugu District, New Taipei City, Taiwan

TEL:886-2-2293-0159 FAX:886-2-2292-8851

E.MAIL: mse@mse.com.tw
 WEB: http://www.mse.com.tw

LTC4291-1/LTC4292

APPLICATIONS INFORMATION

Table 1. IEEE-Specified Power Allocations, Single-Signature PD

PD CLASS	PSE OUTPUT POWER	ALLOCATED CABLING LOSS	PD INPUT POWER
1	4W	0.16W	3.84W
2	6.7W	0.21W	6.49W
3	14W	1W	13W
4	30W	4.5W	25.5W
5	45W	5W	40W
6	60W	9W	51W
7	75W	13W	62W
8	90W	18.7W	71.3W

52W Output/0.85 η =62W Input, Therefore PSE Input = 75W

PD-Type : 4 , Class : 7

Table 2. PSE Maximum Delivered Power, Per-Port

DEVICE	STANDARD	PSE				
		TYPE	802.3at		802.3bt	
			1	2	3	4
PD	802.3at	1	13W	13W	13W	13W
		2	13W*	25.5W	25.5W	25.5W
	802.3bt	3	13W*	25.5W*	51W	51W
		4	13W*	25.5W*	51W*	71.3W

*Indicates PD allocated less power than requested.

Table 9. Type 3 and Type 4 PD Classifications by PD Configuration

SINGLE-SIGNATURE PDs		DUAL-SIGNATURE PDs	
CLASS	PD AVAILABLE POWER	CLASS	CHANNEL AVAILABLE POWER*
Class 1	3.84W	Class 1	3.84W
Class 2	6.49W	Class 2	6.49W
Class 3	13W	Class 3	13W
Class 4	25.5W	Class 4	25.5W
Class 5	40W	Class 5	35.6W
Class 6	51W		
Class 7	62W		
Class 8	71.3W		

