



# MSTronic Co., Ltd.

2F, 12, Gongshang Rd., Wugu District, New Taipei City, 248 Taiwan

TEL:886-2-2293-0159 FAX:886-2-2292-8851

E.MAIL: mse@mse.com.tw

WEB: <http://www.mse.com.tw>

## **MIT-20G-A2456PNNN**

### **AC/DC Gigabit PoE Injector**

#### SPECIFICATION

#### 1. INPUT :

- 1.1 Input Voltage: 22Vac to 35Vac Normal = 24Vac
- 1.2 Input Current: 7.80A at 24Vac/50hz Full Load  
8.47A at 22Vac/50hz Full Load  
5.15A at 35Vac/50hz Full Load
- 1.3 Input Frequency : 50/60hz
- 1.4 Power Factor: >0.53(at F.L) suggest : initial add Inductor.

#### 2. OUTPUT :

##### 2.1 Output Voltage & Current:

OUTPUT	+56V1 (12-/36+)	+56V2 (45+/78-)
Max. load	0.625A	0.625A
Power	35W	35W
Min. Load	0.01A	0.01A
Load reg. %	5%	5%
Line reg. %	1%	1%
Ripple %	1%	1%
Noise %	1%	1%

TOTAL POWER : 70W

Note 1: Noise bandwidth is from DC to 20Mhz. Ripple & Noise is measured by Paralleling a 0.1uF metalize capacitor on the test point.

#### 3. EFFICIENCY : 80% min at Full Load , 22Vac ~ 35Vac Input Voltage

#### 4. PROTECTION

##### 4.1 Short Circuit Protection

Output Short GND Terminal will not damage the Power Supply and will Auto-Reset.

##### 4.2 Input with Fuse Protection.



# MSTronic Co., Ltd.

2F, 12, Gongshang Rd., Wugu District, New Taipei City, 248 Taiwan

TEL:886-2-2293-0159 FAX:886-2-2292-8851

E.MAIL: [mse@mse.com.tw](mailto:mse@mse.com.tw)

WEB: <http://www.mse.com.tw>

4.3 Safety Standard : meet UL1950, CSA 22.2 & TUV EN62368-1.

4.4 EMC : meet FCC Class B , EN55032 Class B

4.5 Over Current : 802.3at Limits @All AC Input F.L

## Warning :

Input Fuse(T5A-125V) Must Installation at Line and Line. (The fuse must be installed on one of the wires.)

**It is strongly recommended to install an inductor at the input (minimum 1mH)**

## 5. GENERAL DESCRIPTION

5.1 Operation Temperature: -40 - +70 Degree

5.2 Storage Temperature: -40 - +85 Degree

5.3 Operation Humidity: 5% - 90%

5.4 Cooling: Free air cooling

5.5 SIZE : 125\*72\*38 (L)\*(W)\*(H) unit: m/m

5.6 DIN rail mountable : DIN rail clip kit optioned

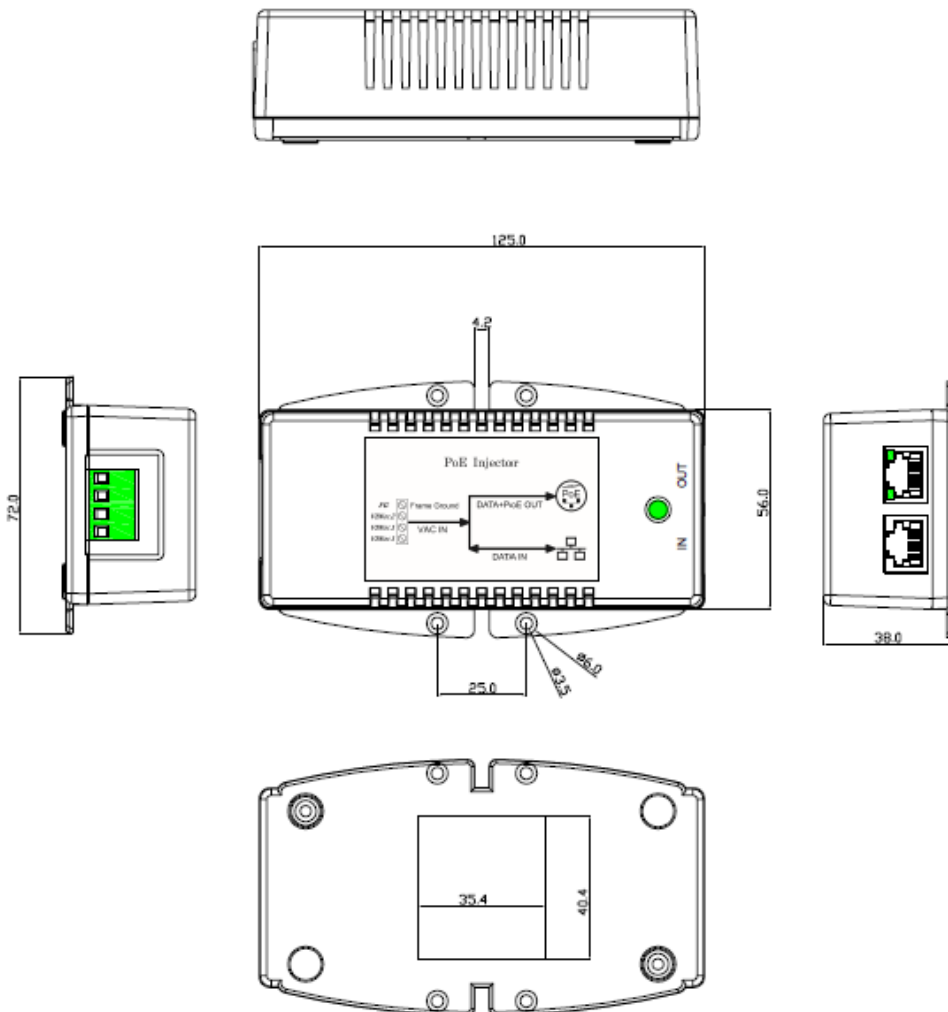
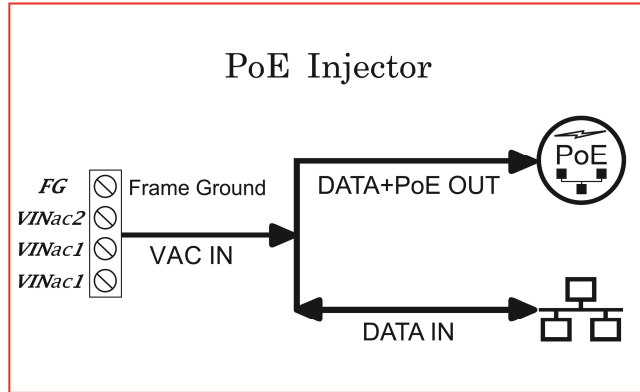


# MSTronic Co., Ltd.

2F, 12, Gongshang Rd., Wugu District, New Taipei City, 248 Taiwan

TEL:886-2-2293-0159 FAX:886-2-2292-8851

E.MAIL: [mse@mse.com.tw](mailto:mse@mse.com.tw)  
WEB: <http://www.mse.com.tw>





# MSTronic Co., Ltd.

2F, 12, Gongshang Rd., Wugu District, New Taipei City, 248 Taiwan

TEL:886-2-2293-0159 FAX:886-2-2292-8851

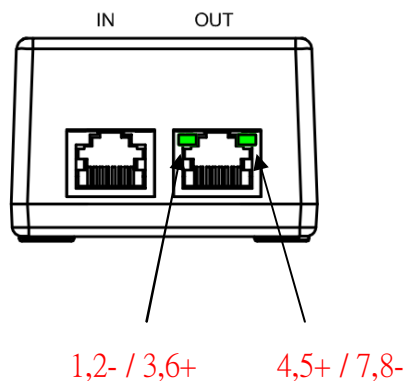
E.MAIL: mse@mse.com.tw

WEB: <http://www.mse.com.tw>

## 6. Indicators :

6.1 the LED on top cover light GREEN when Power Ready

6.2 the LEDs on the right RJ45 (the OUT port) indicate voltage output, the left LED light on for data pairs (pin 1236), the right LED light on for spare pairs (pin 4578). The two LEDs all on, then the main LED on top cover will be on, any one of the two LEDs off, the main LED off.



## 7. RJ45 Pin Assignment : @1000M

RJ-45 Input (Data Only)			RJ-45 Output (Data & Power)	
Pin	Symbol	Description	Symbol	Description
1	BI_DA+	Data Pair A+	-Vdc + BI_DA+	power(-)+Data Pair A+
2	BI_DA-	Data Pair A-	-Vdc + BI_DA-	power(-)+Data pair A-
3	BI_DB+	Data Pair B+	+Vdc + BI_DB+	power(+)+Data Pair B+
4	BI_DC+	Data Pair C+	+Vdc + BI_DC+	power(+)+Data Pair C+
5	BI_DC-	Data Pair C-	+Vdc + BI_DC-	power(+)+Data Pair C-
6	BI_DB-	Data Pair B-	+Vdc + BI_DB-	power(+)+Data Pair B-
7	BI_DD+	Data Pair D+	-Vdc + BI_DD+	power(-)+Data Pair D+
8	BI_DD-	Data Pair D-	-Vdc + BI_DD-	power(-)+Data Pair D-

Note :

1. The model with force PoE output, make sure polarity before connect to end device.



# MSTronic Co., Ltd.

2F, 12, Gongshang Rd., Wugu District, New Taipei City, 248 Taiwan

TEL:886-2-2293-0159 FAX:886-2-2292-8851

E.MAIL: mse@mse.com.tw  
WEB: http://www.mse.com.tw

## SPEC. of SURGE/LIGHTNING PROTECTION

### SP4021 Series 2.5pF, 25A Discrete TVS Diode

AUTOMOTIVE GRADE

RoHS

Pb

GREEN



#### Description

The SP4021 components integrate low capacitance steering diodes with one or two avalanche breakdown diodes for unidirectional or bidirectional protection, respectively, to protect against ESD and lightning induced surge events. These devices can safely absorb up to 25A per IEC 61000-4-5 ( $t_p=8/20\mu s$ ) without performance degradation and a minimum  $\pm 30kV$  ESD per IEC 61000-4-2 International Standard. The low loading capacitance and high surge capability make it ideal for protecting telecommunication ports such as Ethernet and other high speed data interfaces.

#### Pinout



#### Features

- ESD, IEC 61000-4-2,  $\pm 30kV$  contact,  $\pm 30kV$  air
- EFT, IEC 61000-4-4, 40A (5/50ns)
- Lightning, IEC 61000-4-5, 2<sup>nd</sup> edition 25A ( $t_p=8/20\mu s$ )
- Low capacitance of 2.5pF (@  $V_R=0V$ )
- Low leakage current
- Unidirectional and Bidirectional configuration
- Small SOD323 package fits 0805 footprints
- Moisture Sensitivity Level (MSL-1)
- AEC-Q101 Qualified
- Halogen free, Lead free, and RoHS compliant

**CYGWAYON**  
Let's make electronics safer!

## WS24DLC-B

Order Code: WS24DLC-B

Transient Voltage Suppressor

#### Features

- 500 Watts Peak Pulse Power per Line ( $t_p = 8/20\mu s$ )
- Bidirectional Configuration
- Protects One Power or I/O Port
- Low Clamping Voltages
- Ultra Low Capacitance: 1.0 pF Typical

#### IEC COMPATIBILITY (EN61000-4)

- IEC 61000-4-2 (ESD)  $\pm 30kV$  (air),  $\pm 30kV$  (contact)
- IEC 61000-4-4 (EFT) 40A (5/50ns)
- IEC 61000-4-5(Lightning) 9A (8/20 $\mu s$ )





# MSTronic Co., Ltd.

2F, 12, Gongshang Rd., Wugu District, New Taipei City, 248 Taiwan

TEL:886-2-2293-0159 FAX:886-2-2292-8851

E.MAIL: [mse@mse.com.tw](mailto:mse@mse.com.tw)

WEB: <http://www.mse.com.tw>

