

HDR COVERT IP CAMERA

VMS-CC-I-F



Datasheet

Product Specification

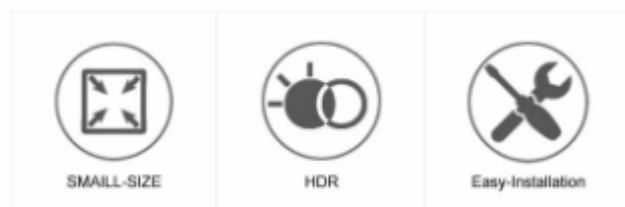
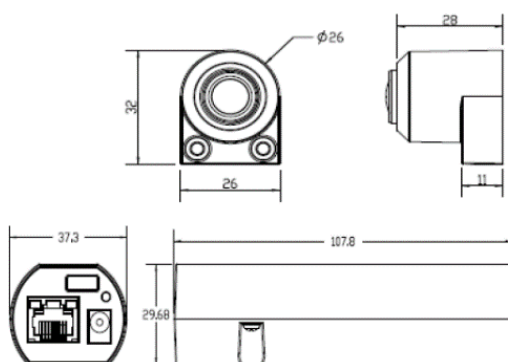
With its tiny size and light weight, the VMS-CC-I-F covert camera support up to 4MP@15fps with HDR function, presenting clear images under high-contrast lighting conditions. With only few easy installation steps, the camera can be installed within minutes and fit in discreet security application locations, such as ATMs, boutiques, museums, elevators and even prisons.

VMS-CC-I-F is equipped with a fixed focal lens (FOV up to 108°). It takes merely a few screws for installation, revealing only the lens.

VMS-CC-I-F is implemented with the HDR function, presenting clear images to prevent the face from being too dark in surroundings where the background is over-exposed in order to strengthen detection.

Key Features

- ◆ Multiple Progressive Scan CMOS Sensor
- ◆ SD card slot (64GB SDXC) for edge recording
- ◆ High Dynamic Range (HDR)
- ◆ 4MP
- ◆ Fixed lens 2.8 mm
- ◆ Built-in RJ45 connector
- ◆ PoE/ DC12V support
- ◆ Easy setup design
- ◆ Low Latency Live Streaming
- ◆ Quad codec support (H.264 Main Profile / High Profile / MJPEG)
- ◆ Smart Event Function -
Motion Detection / Network Failure Detection /
Tampering Alarm / Periodical Event / Manual Trigger /
Audio Detection
- ◆ Text Overlay and Privacy Masks
- ◆ 3D Motion Compensated Noise Reduction (MCTF)
- ◆ ONVIF Support
- ◆ 0 Downtime Power switching Support



2 Years Advanced Replacement Warranty

(Conditions Apply) Ph: 1300 130 423 www.vmsaus.com.au

VMS-CC-I-F HDR Convert Ip Camera Specifications

Camera		Network	
Image Sensor	1/3" Progressive CMOS	Interface	RJ-45, 10/100 Mbps Ethernet
Effective Pixels	2688(H) x 1520(V)	Video Compression	H.264 (MPEG-4 Part 10/AVC) / MJPEG
Minimum Illumination Color	0.1		
Shutter Speed	1 ~ 1/10000 sec.		
Lens			
Focal Length	2.8mm		
F Number	F2.0		
FOV	107°		
Operation			
Multiple Languages	English / French / German / Italian / Japanese / Korean / Portuguese / Simplified Chinese / Spanish / Traditional Chinese		
Backlight Compensation	On / Off		
White Balance	Manual / AWB / ATW / One Push		
Noise Reduction	3DNR/2DNR		
Wide Dynamic Range	Shutter WDR On / Off (120 dB)		
Privacy Mask	On / Off		
Brightness	Manual		
Exposure	Auto / Manual		
Sharpness	Manual		
Contrast	Manual		
Saturation	Manual		
Hue	Manual		
Digital Zoom	Support		
Motion Detection	On / Off / By Schedule		
Privacy Mask Type	Black		
Tampering Alarm	On / Off / By Schedule		
Compression	G.711 / G.726 / AAC / LPCM		
Mechanical			
Connectors	Alarm	4 Pin Terminal Block	
	Power	DC Jack	
	Ethernet	RJ-45	
General			
Operating Temperature	-20°C ~ 55°C (-4°F ~ 131° F)		
Humidity	10% ~ 90%, No Condensation		
Dimension	28*26.28*32.28 (H)		
Weight	120g		
Power Source	DC 12V / PoE		
Power Consumption	Operation(802.3af) System	3W	
	Operation(802.3af) Others	TBD	
Regulatory	CE / FCC/ RoHS		
		Video Streaming	
			Dual Streams - Normal Mode 3M @ 25/30fps + SVGA @ 25/30fps 4M @ 15fps + XGA @ 15fps Note: 1 of the 2M or under streamings can be MJPEG
			Dual Streams - HDR Mode 1080p @ 25/30fps + D1 @ 25/30fps Note: 1 of the 2M or under streamings can be MJPEG
			Quad Streams - Normal Mode H.264 3M (2304x1296) @25/30 fps + H.264 vga @25/30 fps + H.264 CIF @25/30 fps + H.264 CIF @25/30 fps
			Quad Streams - HDR Mode H.264 1080p @25/30 fps + H.264 svga @15 fps + H.264 CIF @15 fps + H.264 CIF @15 fps
		Video Resolution	H.264- 4M / 3M/ Full HD 1080P / SXGA / HD 720P / XGA / SVGA / D1 / VGA / CIF MJPEG- Full HD 1080P / SXGA / HD 720P / XGA / SVGA / D1 / VGA / CIF
		Protocol	ARP, IPv4/v6, TCP/IP, UDP, RTP, RTSP, HTTP, HTTPS, ICMP, FTP, SMTP, DHCP, PPPoE, UPnP, IGMP, SNMP, QoS, ONVIF
		Security	HTTPS / IP Filter / IEEE 802.1X
		Alarm	Input 1 Set - 5V 10kΩ pull up Output 1 Set - Photo Relay Output 300V DC/AC
		Event Notification	HTTP / FTP / SMTP
		Micro SD	Micro SDHC 64GB support
		Supported Web Browser	Internet Explorer (6.0+) / Chrome / Firefox / Safari
		User Account	20
		Password Levels	User and Administrator