

1.25Gb 20klm 1490T/1310R SM (Standard Code) L1-OP5420D-43

PRODUCT DESCRIPTION:

Layer 1 Transceivers are a high performance, cost effective module which have a single LC optics interface. They are compatible with the Small Form Factor Pluggable Multi-Sourcing Agreement (MSA) and Digital diagnostics functions are available via the 2-wire serial bus specified in SFF-8472. The receiver section uses a PIN receiver and the transmitter uses a 1490 nm DFB laser, up to 14dB link budget ensure this module 1000Base-LX Ethernet 20km application



KEY FEATURES

- ◆ Up to 1.25Gb/s Data Links
- ◆ Hot-Pluggable
- ◆ Single LC connector
- ◆ Up to 20 km on 9/125µm SMF
- ◆ 1490nm FP laser transmitter
- ◆ 1310nm PIN photo-detector
- ◆ Single +3.3V Power Supply
- ◆ Monitoring Interface Compliant with SFF-8472
- ◆ Maximum power dissipation <1W
- ◆ Industrial /Extended/ Commercial operating temperature range: -40°C to 85°C/-5°C to 85°C/-0°C to 70°C Version available
- ◆ RoHS compliant and Lead Free

APPLICATIONS

- ◆ 1000Base-LX Ethernet
- ◆ Metro/Access Networks
- ◆ 1×Fibre Channel
- ◆ Other Optical Links

ABSOLUTE MAXIMUM RATINGS

Parameter	Symbol	Min.	Typical	Max.	Unit
Storage Temperature	T _S	-40		+85	°C
Supply Voltage	V _{CC}	-0.5		4	V
Relative Humidity	RH	0		85	%

RECOMMENDED OPERATING ENVIRONMENT

Parameter	Symbol	Min.	Typical	Max.	Unit
Case operating Temperature	Industrial	-40		85	°C
	Extended	-5		85	°C
	Commercial	0		60	°C
Supply Voltage	V _{CC}	3.135		3.465	V
Supply Current	I _{CC}			300	mA

Inrush Current	I_{surge}			Icc+30	mA
Maximum Power	P_{max}			1	W

ELECTRICAL CHARACTERISTICS ($T_{\text{OP}} = T_{\text{C}}$, VCC = 3.0 TO 3.60 VOLTS)

Parameter	Symbol	Min.	Typical	Max.	Unit	Note
Transmitter Section:						
Input differential impedance	R_{in}	90	100	110	Ω	2
Single ended data input swing	$V_{\text{in PP}}$	200		1200	mVp-p	
Transmit Disable Voltage	V_{D}	$V_{\text{CC}} - 1.3$		V_{CC}	V	2
Transmit Enable Voltage	V_{EN}	V_{EE}		$V_{\text{EE}} + 0.8$	V	
Transmit Disable Assert Time	T_{dessert}			10	us	
Receiver Section:						
Single ended data output swing	$V_{\text{out,pp}}$	300		800	mv	3
Data output rise time	t_{r}			150	ps	4
Data output fall time	t_{f}			150	ps	4
LOS Fault	V_{losfault}	$V_{\text{CC}} - 0.5$		$V_{\text{CC_host}}$	V	5
LOS Normal	$V_{\text{los norm}}$	V_{EE}		$V_{\text{EE}} + 0.5$	V	5
Power Supply Rejection	PSR	100			mVpp	6
Deterministic Jitter Contribution	$\text{RX}\Delta\text{DJ}$			51.7	ps	7
Total Jitter Contribution	$\text{RX}\Delta\text{TJ}$			122.4	ps	

Note:

1. AC coupled.
2. Or open circuit.
3. Into 100 kohm differential termination.
4. 20 – 80 %
5. LOS is LVTTTL. Logic 0 indicates normal operation; logic 1 indicates no signal detected.
6. All transceiver specifications are compliant with a power supply sinusoidal modulation of 20 Hz to 1.5MHz up to specified value applied through the power supply filtering network shown on page 23 of the Small Form-factor Pluggable (SFP) Transceiver Multi-Source Agreement (MSA), September 14, 2000.
7. Measured with DJ-free data input signal. In actual application, output DJ will be the sum of input DJ and DJ.

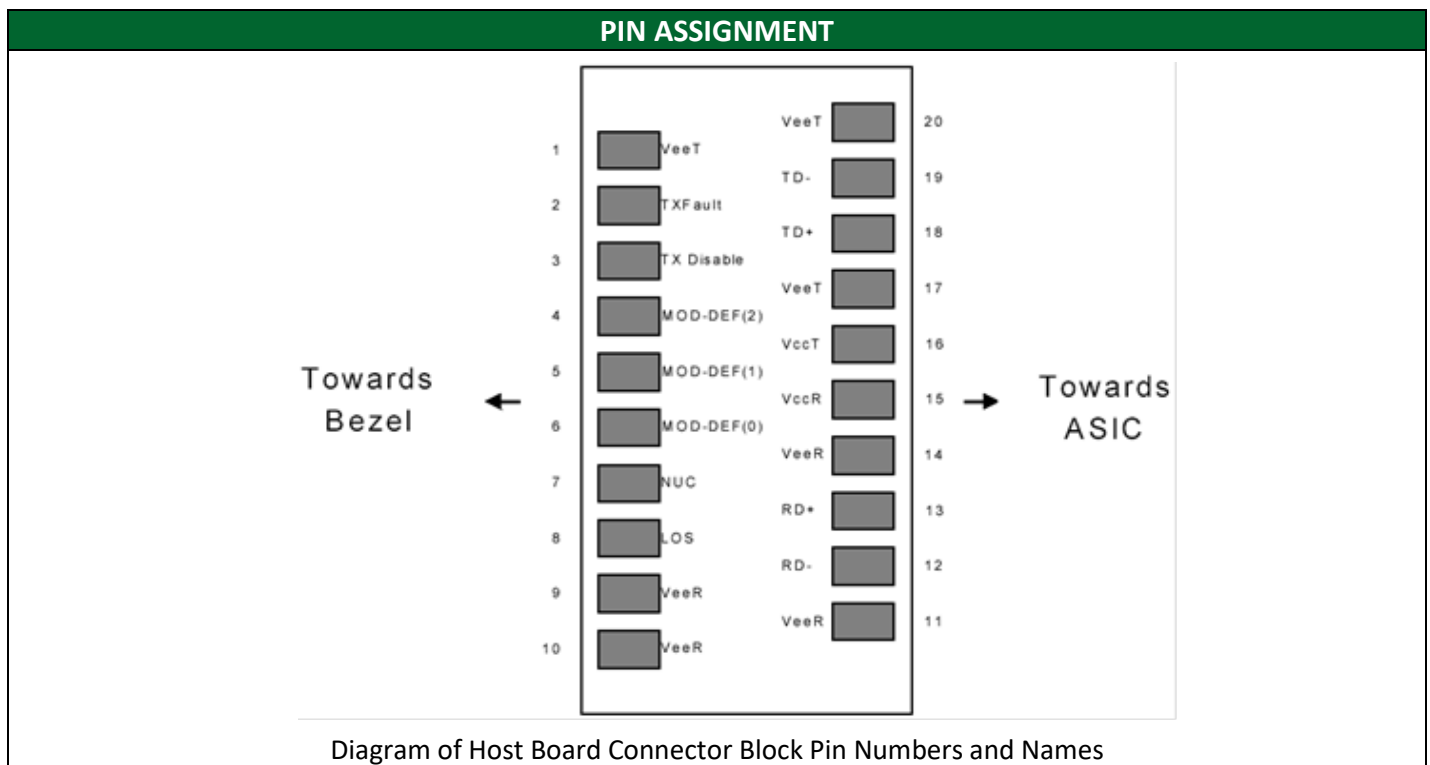
OPTICAL PARAMETERS ($T_{\text{OP}} = T_{\text{C}}$, VCC = 3.00 to 3.60 Volts)

Parameter	Symbol	Min.	Typical	Max.	Unit	Note
Transmitter Section:						
Center Wavelength	λ_{c}	1470	1490	1510	nm	1
Spectral Width(-20dB)	σ			1	nm	
Optical Output Power	P_{out}	-9		-3	dBm	2
Optical Rise/Fall Time	$t_{\text{r}} / t_{\text{f}}$			260	ps	3
Extinction Ratio	ER	9			dB	
Deterministic Jitter Contribution	$\text{TX}\Delta\text{DJ}$			56.5	ps	4
Total Jitter Contribution	$\text{TX}\Delta\text{TJ}$			119	ps	
Eye Mask for Optical Output	Compliant with Eye Mask Defined in IEEE 802.3 standard					
Relative Intensity Noise	RIN			-120	dB/Hz	
Receiver Section:						
Optical Input Wavelength	?	1250	1310	1350	nm	
Optical Input Power	P_{in}	-23		-3	dBm	5.6

Receiver Reflectance		12			dB	
Receiver Overload	P _{ol}			-3	dBm	5.6
RX Sensitivity	Sen			-23	dBm	5.6
RX_LOS Assert	LOS _A	-40			dBm	
RX_LOS Deassert	LOS _D			-24	dBm	
RX_LOS Hysteresis	LOS _H	0.5			dB	
General Specifications						
Data Rate	BR		1250		Mb/s	
Bit Error Rate	BER			10 ⁻¹²		
Max. Supported Link Length on 9/125µm SMF@1.25G	LMAX		20		km	7
Total System Budget	LB	14			dB	

Note:

1. Also specified to meet curves in FC-PI 13.0 Figures 18 and 19, which allow trade-off between wavelength spectral width.
2. Class 1 Laser Safety per FDA/CDRH and EN (IEC) 60825 regulations.
3. Unfiltered, 20-80%. Complies with IEEE 802.3 (Gig. E), FC 1x and 2x eye masks when filtered.
4. Measured with DJ-free data input signal. In actual application, output DJ will be the sum of input DJ and . DJ.
5. Measured with conformance signals defined in FC-PI 13.0 specifications.
6. Measured with PRBS 27-1 at 10-12 BER
7. Dispersion limited per FC-PI Rev. 13



PIN DESCRIPTION

Pin No	Name	Function	Plug Seq	Notes
1	VeeT	Transmitter Ground	1	1
2	TX Fault	Transmitter Fault Indication	3	
3	TX Disable	Transmitter Disable	3	2
4	MOD-DEF2	Module Definition	2	3
5	MOD-DEF1	Module Definition 1	3	3

6	MOD-DEF0	Module Definition 0	3	3
7	Rate Select	Not Connected	3	4
8	LOS	Loss of Signal	3	5
9	VeeR	Receiver Ground	1	1
10	VeeR	Receiver Ground	1	1
11	VeeR	Receiver Ground		1
12	RD-	Inv. Received Data Out	3	6
13	RD+	Received Data Out	3	6
14	VeeR	Receiver Ground	3	1
15	VccR	Receiver Power	2	1
16	VccT	Transmitter Power	2	
17	VeeT	Transmitter Ground	1	
18	TD+	Transmit Data In	3	6
19	TD-	Inv. Transmit In	3	6
20	VeeT	Transmitter Ground	1	

Notes:

1. Circuit ground is internally isolated from chassis ground.
2. Laser output disabled on TDIS >2.0V or open, enabled on TDIS <0.8V.
3. Should be pulled up with 4.7k - 10 kohms on host board to a voltage between 2.0V and 3.6V. MOD_DEF(0) pulls line low to indicate module is plugged in.
4. Rate select is not used
5. LOS is open collector output. Should be pulled up with 4.7k – 10 kohms on host board to a voltage between 2.0V and 3.6V. Logic 0 indicates normal operation; logic 1 indicates loss of signal.
6. AC Coupled

SFP MODULE EEPROM INFORMATION AND MANAGEMENT

The SFP modules implement the 2-wire serial communication protocol as defined in the SFP -8472. The serial ID information of the SFP modules and Digital Diagnostic Monitor parameters can be accessed through the I²C interface at address A0h and A2h.

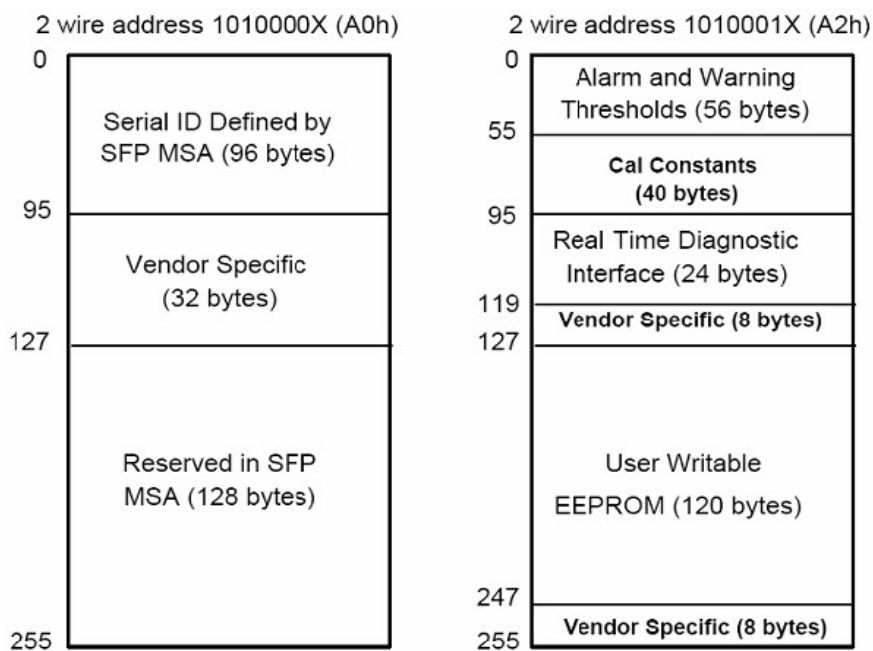
The memory is mapped in Table 1.

Detailed ID information (A0h) is listed in Table 2.

And the DDM specification at address A2h.

For more details of the memory map and byte definitions, please refer to the SFF-8472, “Digital Diagnostic Monitoring Interface for Optical Transceivers”. The DDM parameters have been internally calibrated.

TABLE 1. DIGITAL DIAGNOSTIC MEMORY MAP (SPECIFIC DATA FIELD DESCRIPTIONS)



SERIAL ID MEMORY CONTENTS

Data Address	Length (Byte)	Name of Length	Description and Contents
Base ID Fields			
0	1	Identifier	Type of Serial transceiver (03h=SFP)
1	1	Reserved	Extended identifier of type serial transceiver (04h)
2	1	Connector	Code of optical connector type (07=LC)
3-10	8	Transceiver	Gigabit Ethernet 1000Base-BX
11	1	Encoding	8B10B (01h)
12	1	BR,Nominal	Nominal baud rate, unit of 100Mbps
13	1	Reserved	(0000h)
14	1	Length(9um,km)	Link length supported for 9/125um fibre, units of km
15	1	Length(9um)	Link length supported for 9/125um fibre, units of 100m
16	1	Length(50um)	Link length supported for 50/125um fibre, units of 10m
17	1	Length(62.5um)	Link length supported for 62.5/125um fibre, units of 10m
18	1	Length(Copper)	Link length supported for copper, units of meters
19	1	Reserved	
20-35	16	Vendor Name	SFP vendor name:
36	1	Reserved	
37-39	3	Vendor OUI	SFP transceiver vendor OUI ID
40-55	16	Vendor PN	Part Number: "L1-OP5420D-43" (ASCII)
56-59	4	Vendor rev	Revision level for part number
60-61	2	Wavelength	Laser wavelength
62	1	Reserved	
63	1	CCID	Least significant byte of sum of data in address 0-62
Extended ID Fields			
64-65	2	Option	Indicates which optical SFP signals are implemented(001Ah = LOS, TX_FAULT, TX_DISABLE all supported)
66	1	BR, max	Upper bit rate margin, units of %
67	1	BR, min	Lower bit rate margin, units of %
68-83	16	Vendor SN	Serial number (ASCII)
84-91	8	Date code	Manufacturing date code
92	1	Diagnostic Type	Diagnostics
93	1	Enhanced Options	Diagnostics
94	1	SFF-8472	Diagnostics
95	1	CCEX	Check code for the extended ID Fields (addresses 64 to 94)
Vendor Specific ID Fields			
96-127	32	Readable	Vendor specific data, read only

DIGITAL DIAGNOSTIC MONITOR CHARACTERISTICS

The following digital diagnostic characteristics are defined over the Recommended Operating Environment unless otherwise specified. It is compliant to SFF8472 Rev10.2 with internal calibration mode. For external calibration mode please contact our sales staff.

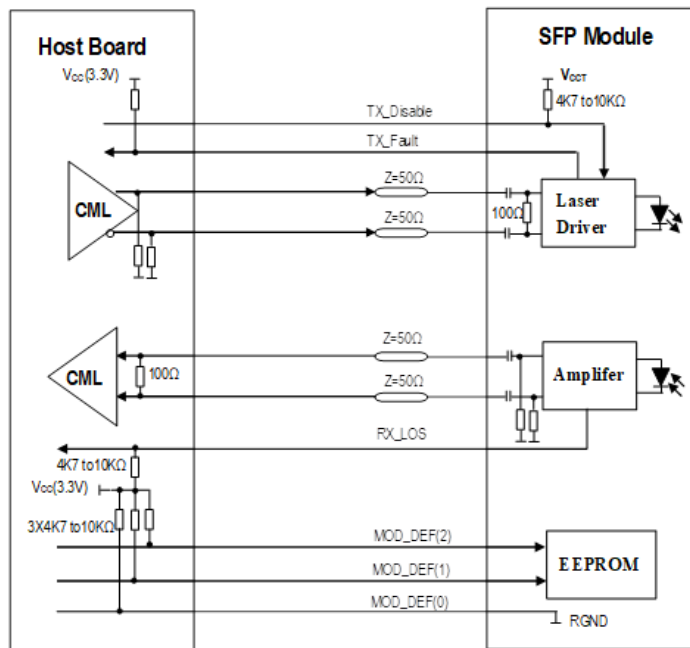
Data Address	Parameter	Accuracy	Unit
96-97	Transceiver Internal Temperature	±3.0	°C
98-99	VCC3 Internal Supply Voltage	±5.0	%
100-101	Laser Bias Current	±10	%
102-103	Tx Output Power	±3.0	dBm
104-105	Rx Input Power	±3.0	dBm

REGULATORY COMPLIANCE

The L1-OP5420D-43 complies with international Electromagnetic Compatibility (EMC) and international safety requirements and standards (see details in Table following).

Electrostatic Discharge (ESD) to the Electrical Pins	MIL-STD-883E Method 3015.7	Class 1(>1000 V)
Electrostatic Discharge (ESD) to the Single LC Receptacle	IEC 61000-4-2 GR-1089-CORE	Compatible with standards
Electromagnetic Interference (EMI)	FCC Part 15 Class B EN55022 Class B (CISPR 22B) VCCI Class B	Compatible with standards
Laser Eye Safety	FDA 21CFR 1040.10 and 1040.11 EN60950, EN (IEC) 60825-1,2	Compatible with Class 1 laser product.

Recommended circuit



Mechanical Dimensions:

