



T-DUX-75 | 437160-000

**TDUX - Inflatable Duct Seal, size 75**

- Flexible and reliable wraparound inflatable sealing system for cables
- Fast and easy to install or remove, even when water is flowing out of the duct
- Independent of duct or cable ovality
- Water and airtight up to 50 kPa (7 psi)
- Environmentally friendly, non-toxic and resistant to chemicals

## Body Features

Body Material	Inflatable bladder with incorporated sealing mechanism
---------------	--

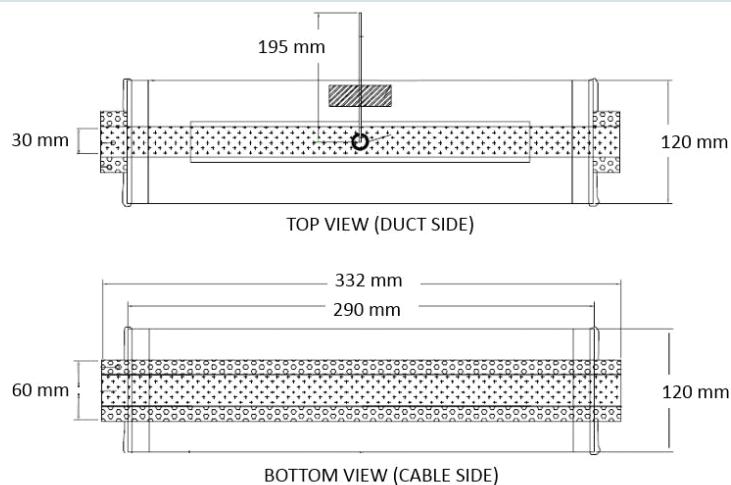
## Dimensions

Inner Duct diameter, minimum	55.0 mm		2.2 in
Cable Diameter (Max)	56.0 mm		2.2 in
Cable Diameter (Min)	28.0 mm		1.1 in
Inner Duct Diameter, maximum	75.0 mm		3.0 in
Length	332.00 mm		13.07 in
Width	120.000 mm		4.724 in

## Other

Comment	When sealing more than two cables in a duct, separate orderable TDUX-CL clips are to be used
---------	--

## Outline Drawing



## Packaging Features

Packaging Quantity	10
--------------------	----

## Product Availability

TDUX-75 | 437160-000

Region Latin America | North America

## Product Type Features

---

Product Type	Duct Seal
System	TDUX

## Usage Conditions

---

Installation Temperature Range -5 – 40 °C

## Regulatory Compliance/Certifications

---

### Agency

RoHS 2011/65/EU

### Classification