



T-DUX-60 | 034686-000

TDUX - Inflatable Duct Seal, size 60

- Flexible and reliable wraparound inflatable sealing system for cables
- Fast and easy to install or remove, even when water is flowing out of the duct
- Independent of duct or cable ovality
- Water and airtight up to 50 kPa (7 psi)
- Environmentally friendly, non-toxic and resistant to chemicals

Body Features

Body Material Inflatable bladder with incorporated sealing mechanism

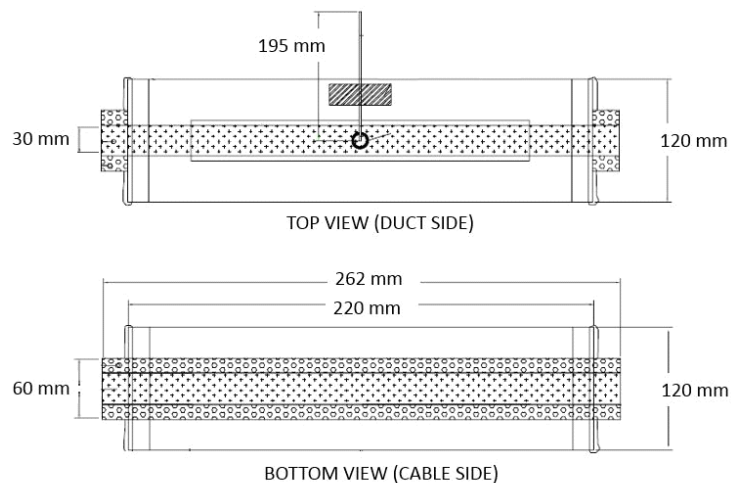
Dimensions

Inner Duct diameter, minimum	45.0 mm		1.8 in
Cable Diameter (Max)	45.0 mm		1.8 in
Cable Diameter (Min)	18.0 mm		0.7 in
Inner Duct Diameter, maximum	60.0 mm		2.4 in
Length	262.00 mm		10.31 in
Width	120.000 mm		4.724 in

Other

Comment When sealing more than two cables in a duct, separate orderable TDUX-CL clips are to be used

Outline Drawing



Packaging Features

Packaging Quantity 10

Product Availability

TDUX-60 | 034686-000

Region Latin America | North America

Product Type Features

Product Type	Duct Seal
System	TDUX

Usage Conditions

Installation Temperature Range -5 – 40 °C

Regulatory Compliance/Certifications

Agency

RoHS 2011/65/EU

Classification