



MSTronic Co., Ltd.

2F, 12, Gongshang Rd., Wugu District, New Taipei City, 248, Taiwan

TEL:886-2-2293-0159 FAX:886-2-2292-8851

E.MAIL: mse@mse.com.tw

WEB: <http://www.mse.com.tw>

MS-T100E

Network Lightning/Surge Protector
PoE Compatible

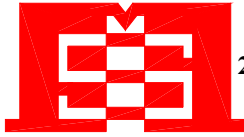
Feature

- + Shielded RJ45 jack and metal housing for EMI noise suppression
- + CAT5/CAT5e compatible
- + Gigabit Ethernet available
- + Cast aluminum construction
- + Integral mounting feet



Specification

Operating Voltage	Data 5V PoE 48V
Clamping Voltage	70V
Max. Surge Discharge Current	5KA (8/20uS)
Peak Pulse Current	100A (10/1000uS)
Pin Protected	All 8 pin protected
Protection Mode	Differential & Common mode
Insulation Impedance	> 1000M Ohm
Max. Shut Capacitance	<25pF
Data Rate	10/100/1000 Mbps*
Impulse protected Voltage	< 650V
Response Time	< 5 nS
Operating Temperature	-40°C~+85°C
Storage Temperature	-40°C~+90°C
Operating Humidify	0~95% non condensing
Ground Lug wire	14 AWG
Dimensions	102 x 25.4 x 25.4 mm (include bracket) 88 x 25.4 x 25.4 mm (main body)
Weight	88 g



MSTronic Co., Ltd.

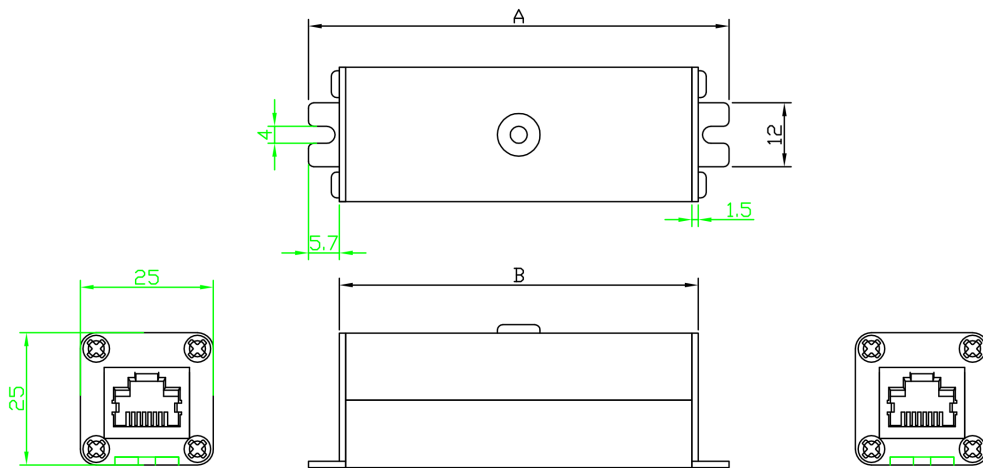
2F, 12, Gongshang Rd., Wugu District, New Taipei City, 248, Taiwan

TEL:886-2-2293-0159 FAX:886-2-2292-8851

E.MAIL: mse@mse.com.tw

WEB: <http://www.mse.com.tw>

1. suit for PoE over Pin 1,2,3,6 (MODE A) or 4,5,7,8 (MODE B)
2. data rate with CAT5e is 992M, with CAT6 is 1000M
3. RJ45s shield connected to enclosure, grounding wire connected to enclosure.



MODEL	LENGTH(mm)	
	A	B
MS-T100A	80	68
MS-T100B	80	68
MS-T100D	80	68
MS-T100E	95	83
MS-T120A	106	94
MS-T120G	120	108