

E706 Series Enclosure

SPECIALTY, OUTDOOR, DUST-TIGHT

Product Features

- 6-Inch Inside Diameter
- Easily Installed and Serviced
- For Use in Small-Particle and Dusty Environments
- Stainless Steel Mounting Straps Allow Enclosure to be Easily Positioned on, or Removed from, Mounting Device
- Options include Heater, Blower, Air Funnel Kit, Sun Shield and Sun Visor
- Aluminum or Stainless Steel Construction



E706-16 ENCLOSURE



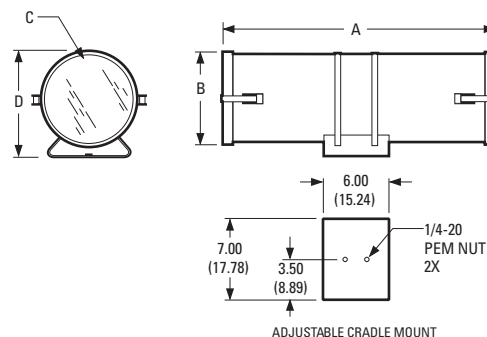
ENCLOSURE WITH SUN SHROUD

The **E706 Series** dust-tight enclosure permits the use of cameras in small-particle and dusty environments. The enclosure is constructed from aluminum and is also available in stainless steel for use in corrosive atmospheres.

The enclosure is engineered for ease of installation and serviceability. Spring clip fasteners permit quick removal of the front and rear plates and have security features for using padlocks and safety wire for additional security protection. The camera is mounted on a removable camera sled for easy access to electrical connections, including those for accessory equipment. Cable entry is through two adjustable cable glands located conveniently on the rear plate.

Accessories to help maintain proper operating temperature within the enclosure under many conditions include purge fittings, heater, blower, air funnel, sun shroud and sun visor.

The **E706 Series** can be used in fixed mount applications or with a medium duty pan/tilt, such as our PT570 Series.



MODEL	A	B	C	D
E706-16	17.25 (43.82)	Ø6.62 (16.81)	Ø6.00 (15.24)	7.62 (19.35)

NOTE: VALUES IN PARENTHESES ARE CENTIMETERS;
ALL OTHERS ARE INCHES.



TECHNICAL SPECIFICATIONS

MODELS

E706-16	Dust-tight enclosure, 6-inch (15.24 cm) inside diameter x 16-inch (40.64 cm) length
E706-16P	Same as E706-16 except with purge fittings
E706-16PS	Same as E706-16P except Type 304 stainless steel construction
E706-16S	Same as E706-16 except Type 304 stainless steel construction

Note: Models with purge fittings require a filtered compressed air supply (up to 35 psi at 10 cfm) to provide positive pressure internal air circulation. Two 1/4-inch NPT female fittings provided.

MECHANICAL

Camera Mounting	Removable sled with multiple mounting holes
Cable Entry	Two adjustable, sealable glands: One with 0.375" (0.95 cm) inside diameter and one with 0.50" (1.27 cm) inside diameter
Viewing Window	0.187" (4.74 mm) thick Lucite® SAR acrylic
Latches	Draw latch with security features
Maximum Camera and Lens Size	<i>With or Without Blower and/or Heater Kits:</i> 3.50" H x 4.25" W x 13.25" L (8.89 x 10.79 x 33.66 cm) or 13.25" L x 4.8" diameter (33.66 x 12.20 cm)

GENERAL

Construction	Aluminum or Type 304 stainless steel	
Finish	Gray polyester powder coat	
Weight	Unit	Shipping
E706-16	6.72 lb (3.05 kg)	9 lb (4.07 kg)
E706-16P	6.98 lb (3.17 kg)	10 lb (4.53 kg)
E706-16PS	12.35 lb (5.60 kg)	15 lb (6.79 kg)
E706-16S	12.17 lb (5.52 kg)	15 lb (6.79 kg)

OPTIONAL ACCESSORIES

Blower Kit	BK700	Continuous duty blower kit; provides 10 cfm of internal air circulation; 120 VAC, 60 Hz operation, 4 W
	BK700/220	Same as BK700 except 8 cfm, 230 VAC, 50 Hz, 9 W
	BK700/24	Same as BK700 except 19 cfm, 24 VAC, 3 W
Heater Kit	HK706-1	Thermostatically controlled heater kit for E706 enclosure, 120 VAC, 80 W; activates on at 40°F (4°C) and off at 60°F (15°C)
	HK706-2	Same as HK706-1 except 24 VAC
	HK706-3	Same as HK706-1 except 230 VAC
Sun Shroud	E716S	Sun shroud
	E716SS	Same as E716S except Type 304 stainless steel construction
Visor	E706V	Sun visor for E706 series
	E706VS	Same as E706V except Type 304 stainless steel construction
Other	E700A	Air funnel kit; provides positive pressure air flow across the face of front window to prevent and remove dust accumulation; installation and filtered compressed air supply with minimum of 35 psi at 30 cfm required

RECOMMENDED MOUNTS

Ceiling/ Pedestal	EM1009U/ EM1015U MM22	Medium duty ceiling/pedestal mount; maximum load 40 lb (18.14 kg) Medium duty ceiling/pedestal mount; maximum load 40 lb (18.14 kg)
Wall	EM1900U EM22	Medium duty wall mount; maximum load 40 lb (18.14 kg) Medium duty wall mount; maximum load 40 lb (18.14 kg)
Pipe/Pole	EM1109 EM2000/ EM2200	Medium duty pedestal mount for pipe/pole; maximum load 40 lb (18.14 kg) Medium duty mount for vertical/horizontal pipe/pole; maximum load 40 lb (18.14 kg)

RECOMMENDED PAN/TILT

PT570 Series	Medium duty pan/tilt; maximum load 40 lb (18.14 kg)
--------------	---

Pelco, Inc. Worldwide Headquarters:

3500 Pelco Way, Clovis, California 93612-5699 USA

USA & Canada Tel: (800) 289-9100 • FAX: (800) 289-9150

International Tel: +1 (559) 292-1981 • FAX: +1 (559) 348-1120

www.pelco.com

Pelco, the Pelco logo, and other trademarks associated with Pelco products referred to in this publication are trademarks of Pelco, Inc. or its affiliates. All other product names and services are the property of their respective companies. Product specifications and availability are subject to change without notice.

©Copyright 2010, Pelco, Inc. All rights reserved.