

## Rack Mounted Fibre Termination Cabinets

### TELECOM OUTSIDE PLANT

The Tyco RTCG Series (RTC1G, RTC2G and RTC3G) of rack mounted termination cabinets are design for use to deliver carrier class fibre management to central offices, communication rooms, POPs, FTTH, Mobile Systems and LANs sites. The cabinets are multi-purpose mechanical shelf assemblies which provide a fibre management system in a rack environment. The cabinets provide patching, splicing and storage of optical fibre cables in 19", 21", 23" or other rack/cabinet systems.

The unit has the following features:

- Slide-out termination drawer with fixed cable rear entry ports.
- External cables are transport onto sliding drawer via a bend controlled convoluted flex tube (sleeve).
- Splice trays are pre-assembled and fibre management system includes fibre guides and tie downs for loose tube, buffered fibre cables and pigtail fibres.
- Ideal for external loose tube (250 um), riser & distribution (900 um) cables and pre-terminated connectorised cables.
- Fibre splicing, patching and pre-terminating up to 96 fibres. (capacity doubles for small form factor style connectors i.e. LC)
- Interchangeable adaptor plate options for SC, FC, ST, LC style connectors.
- Standard or high density adaptor plates.
- Front perspex cover available for patchcord fibre management protection of exiting patchcords.
- Cabinets are also available with pre-installed pigtails or connector adaptors.



**RTCG Series**

The RTCG series come in three cabinet enclosure sizes:-

- RTC1G (1RU height, 24 fibre maximum capacity)
- RTC2G (2RU height, 48 fibre maximum capacity)
- RTC3G (3RU height, 96 fibre maximum capacity)

The above fibre capacity doubles for Small Form Factor (SFF) style connectors i.e. LC.

RTCG Series

# RTCG series

Cabinet	Dimensions WxHxD (mm)	Maximum Fibre Capacity	
		STD*	SFF*
RTC1G	444x44x347	24	48
RTC2G	444x88x347	48	96
RTC3G	444x132x347	96	192

STD\* Standard style connectors  
SFF\* Small Form Factor style connectors i.e. LC

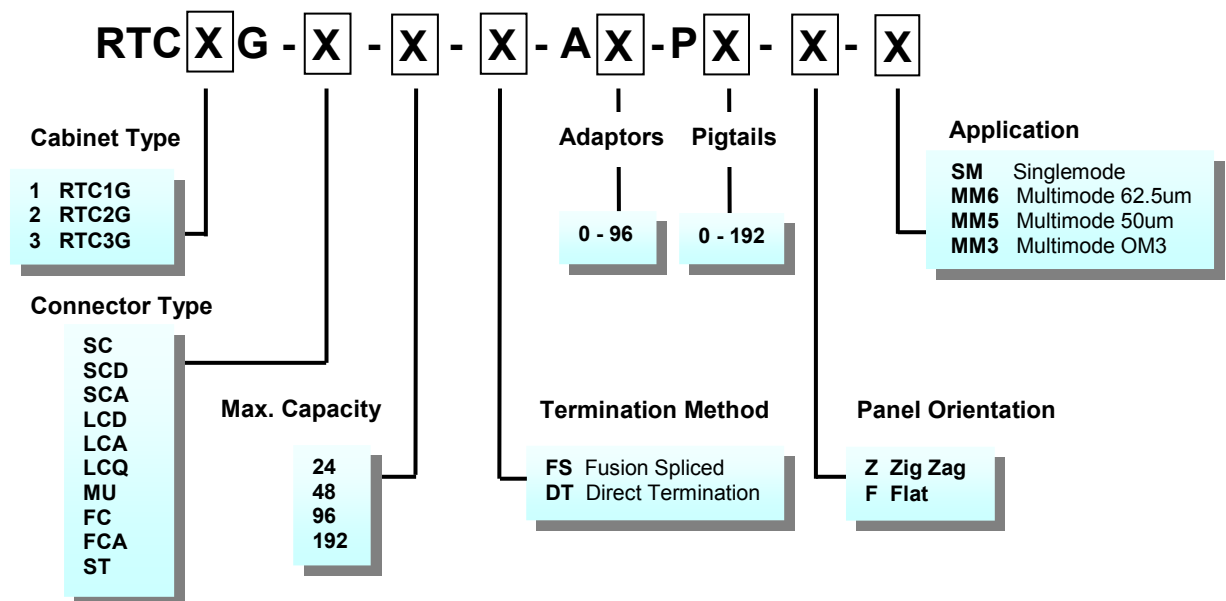
## The RTCG series kits

Each RTC1G, RTC2G or RTC3G cabinet kits are supplied with the following items:-

- Splice trays
- Fibre management clips
- Cage nuts & screws
- Label for adaptor positions
- Mounting brackets and screws
- Foam adhesive tape, cable ties
- Cable gland and convoluted flex tube assembly
- Protective transport tubing to suit loose tube cables, pigtail tubing

Note: RTC1G, RTC2G and RTC3G supplied items are based on standard fibre capacity, additional items as listed above may be required if higher density profiles are selected.

## Ordering Information



**tyco** / Electronics

Telecom Outside Plant

### Australia

web: [www.tycoelectronics.com.au](http://www.tycoelectronics.com.au)

#### Sydney

Tyco Electronics Pty Ltd  
111 Vanessa Street  
Kingsgrove, NSW 2208  
Tel: +61 2 9638 8126  
Fax: +61 2 9638 8115

#### Melbourne

Tyco Electronics Pty Ltd  
Unit 4, 6-7 Gilda Ct  
Mulgrave VIC 3170  
Tel: +61 3 8561 6400  
Fax: +61 3 8561 6411

### New Zealand

web: [www.tycoelectronics.co.nz](http://www.tycoelectronics.co.nz)

#### Auckland

Tyco Electronics NZ Ltd  
57 Mahunga Drive  
Mangere (Auckland)  
Tel: +64 9 634 4580  
Fax: +64 9 634 4586

#### Wellington

Tyco Electronics NZ Ltd  
Lvl 5, Logical CSI House  
186-190 Willis St Wellington  
Tel: +64 4 384 2190  
Fax: +64 4 384 3196