

# Rittal – The System.

Faster – better – everywhere.

CMC III Universalsensor  
CMC III Universal Sensor



7030.190

Montage-, Installations- und Bedienungsanleitung  
Assembly and operating instructions

ENCLOSURES

POWER DISTRIBUTION

CLIMATE CONTROL

IT INFRASTRUCTURE

SOFTWARE & SERVICES

FRIEDHELM LOH GROUP



# Foreword

---

EN

## Foreword

Dear Customer,

Thank you for choosing our CMC III universal sensor  
(referred to hereafter as "universal sensor")!

We wish you every success.

Yours

Rittal GmbH & Co. KG

Rittal GmbH & Co. KG  
Auf dem Stützelberg

35745 Herborn  
Germany

Tel.: +49(0)2772 505-0  
Fax: +49(0)2772 505-2319

E-mail: [info@rittal.com](mailto:info@rittal.com)  
[www.rittal.com](http://www.rittal.com)  
[www.rittal.de](http://www.rittal.de)

We are always happy to answer any technical questions  
regarding our entire range of products.

## Contents

1	Notes on documentation .....	4
1.1	CE labelling .....	4
1.2	Storing the documents .....	4
1.3	Symbols used in these operating instructions	4
1.4	Associated documents .....	4
2	Safety instructions .....	5
2.1	General safety instructions .....	5
2.2	Service and technical staff .....	5
3	Product description .....	6
3.1	Function description and components .....	6
3.1.1	Function .....	6
3.1.2	Components .....	6
3.2	Proper use, foreseeable misuse .....	6
3.3	Scope of supply .....	6
4	Transport and handling .....	7
4.1	Transport .....	7
4.2	Unpacking .....	7
5	Installation .....	8
5.1	Safety instructions .....	8
5.2	Siting location requirements .....	8
5.3	Installation procedure .....	8
5.3.1	Installation notes .....	8
5.3.2	Installation with the mounting bracket provided ....	8
5.3.3	Installation on a top-hat rail .....	8
5.4	Connecting the sensor .....	9
6	Operation .....	11
6.1	Activating the universal sensor .....	11
6.2	Operating and display elements .....	11
6.3	LED displays .....	11
6.3.1	Multi-LED displays .....	11
6.3.2	LED displays on the CAN bus connection .....	11
6.4	Operating the CMC III Processing Unit from the website .....	11
6.4.1	Device .....	11
6.4.2	Interface .....	12
6.4.3	Airflow (analogue) .....	12
6.4.4	Input_1 or Input_2 .....	12
6.4.5	EnergyMeter_1 and EnergyMeter_2 .....	13
7	Storage and disposal .....	14
7.1	Storage .....	14
7.2	Disposal .....	14
8	Technical specifications .....	15
9	Customer service addresses .....	16

# 1 Notes on documentation

EN

## 1 Notes on documentation

### 1.1 CE labelling

Rittal GmbH & Co. KG hereby confirms that the CMC III universal sensor is compliant with the EC EMC Directive 2004/108/EC. An appropriate declaration of conformity has been prepared. It can be provided on request.



### 1.2 Storing the documents

The operating, installation and maintenance instructions as well as all applicable documents are an integral part of the product. They must be passed to those persons who are engaged with the unit and must always be available and on hand for the operating and maintenance personnel.

### 1.3 Symbols used in these operating instructions

The following symbols are used in this documentation:



**Danger!**

**A dangerous situation in which failure to comply with the instructions causes death or severe injury.**



**Warning!**

**A hazardous situation which may lead to death or serious injury if the instructions are not followed.**



**Caution!**

**A hazardous situation which may lead to (minor) injuries if the instructions are not followed.**



**Note:**

Identification of situations that can lead to material damage.

- This symbol indicates an "action point" and shows that you should perform an operation or procedure.

### 1.4 Associated documents

- Installation and Short User's Guide
- CMC III Processing Unit/CMC III Processing Unit Compact assembly, installation and operating instructions

## 2 Safety instructions

### 2.1 General safety instructions

Please observe the subsequent general safety instructions for the installation and operation of the system:

- Use only original Rittal products or products recommended by Rittal in conjunction with the universal sensor.
- Please do not make any changes to the universal sensor that are not described in this manual or in the associated manuals.
- The operational safety of the universal sensor is guaranteed only for its approved use. The technical specifications and limit values stated may not be exceeded under any circumstances. In particular, this applies to the specified ambient temperature range and IP degree of protection.
- The universal sensor may not be opened. The unit does not contain any parts that need servicing.
- Operating the system in direct contact with water, aggressive materials or inflammable gases and vapours is prohibited.
- Other than these general safety instructions, ensure you also observe the specific safety instructions when the tasks described in the following chapters are performed.

### 2.2 Service and technical staff

- The mounting, installation, commissioning, maintenance and repair of this unit may only be performed by qualified mechanical and electro-technical trained personnel.
- Only properly instructed personnel may work on a unit while in operation.

# 3 Product description

EN

## 3 Product description

### 3.1 Function description and components

#### 3.1.1 Function

The universal sensor contains the following components:

- one analogue input 4 mA...20 mA as well as
- two digital inputs or
- two S<sub>0</sub> bus energy counters or
- one digital input and one S<sub>0</sub> bus energy counter or
- one Wiegand interface

The interfaces can be configured via the CMC III Processing Unit website. The universal sensor provides the values measured to the connected CMC III Processing Unit. The universal sensor has an identification that allows it to be detected automatically by the CMC III Processing Unit.



Note:

In the following text the designation "CMC III Processing Unit" refers to both the "CMC III Processing Unit" and also the "CMC III Processing Unit Compact". All of the text passages which only apply for one of the two variants are labelled accordingly.

#### 3.1.2 Components

The device consists of a compact plastic housing in RAL 7035 with a ventilated front in RAL 9005.

### 3.2 Proper use, foreseeable misuse

The universal sensor serves exclusively to record data via one of the available interfaces. It may only be used together with the CMC III Processing Unit. Any other use is not permitted.

### 3.3 Scope of supply

- CMC III universal sensor
- Accessories provided (fig. 1)
- Installation and Short User's Guide

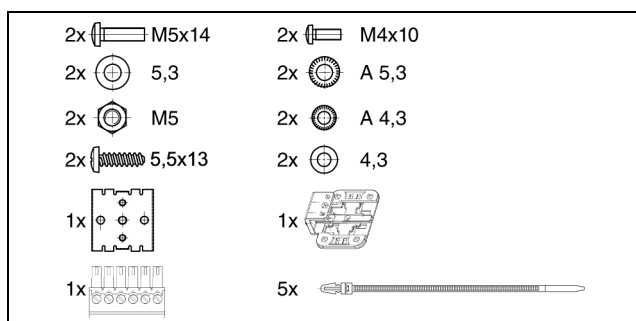


Fig. 1: Accessories provided

## 4 Transport and handling

### 4.1 Transport

The unit is delivered in a carton.

### 4.2 Unpacking

- Remove the unit's packaging materials.



Note:

After unpacking, the packaging materials must be disposed of in an environmentally friendly way. It consists of the following materials:

Polyethylene film (PE film), cardboard.

- Check the unit for any damage that occurred during transport.



Note:

Damage and other faults, e.g. incomplete delivery, should immediately be reported to the shipping company and to Rittal GmbH & Co. KG in writing.

- Remove the unit from the PE film.
- Remove the protective film from the front cover of the device.

## 5 Installation

### 5.1 Safety instructions

- Please observe the valid regulations for installation in the country in which the universal sensor is installed and operated, and the national regulations for accident prevention. Please also observe any company-internal regulations, such as work, operating and safety regulations.
- The technical specifications and limit values stated must not be exceeded under any circumstances. In particular, this applies to the specified ambient temperature range and IP degree of protection.
- If a higher IP protection class is required for a special application, the universal sensor must be installed in an appropriate housing or in an appropriate enclosure with the required IP degree of protection.

### 5.2 Siting location requirements

To ensure the correct function of the unit, the conditions for the installation site of the unit specified in section 8 "Technical specifications" must be observed.

#### Electromagnetic interference

- Interfering electrical installations (high frequency) should be avoided.

### 5.3 Installation procedure

There are two general options for installing the universal sensor:

1. Installation on the frame of the enclosure or IT enclosure using the bracket included.
2. Installation on a top-hat rail using the bracket included along with a spring clip.

#### 5.3.1 Installation notes

- The universal sensor must be positioned so that it is ventilated with an adequate amount of air and the ventilation slots are not covered.

#### 5.3.2 Installation with the mounting bracket provided

It can be mounted on the frame of the IT enclosure using the bracket included in the scope of delivery.

- Place the universal sensor on the bracket from above.

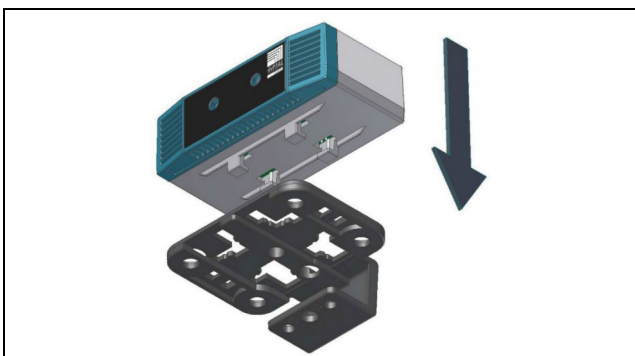


Fig. 2: Attaching the sensor to the bracket

- Move the sensor sideways slightly on the bracket, so that it latches into place.

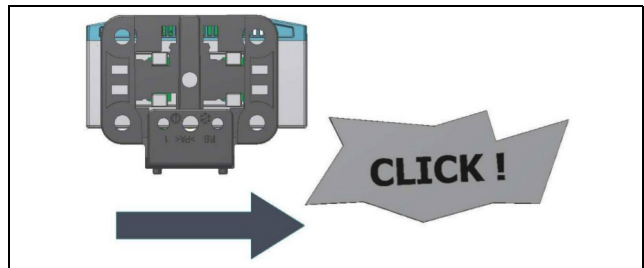


Fig. 3: Latching the sensor into place on the bracket

- Mount the bracket and the universal sensor in the desired position in the enclosure or the IT enclosure using the screw included in the scope of delivery.

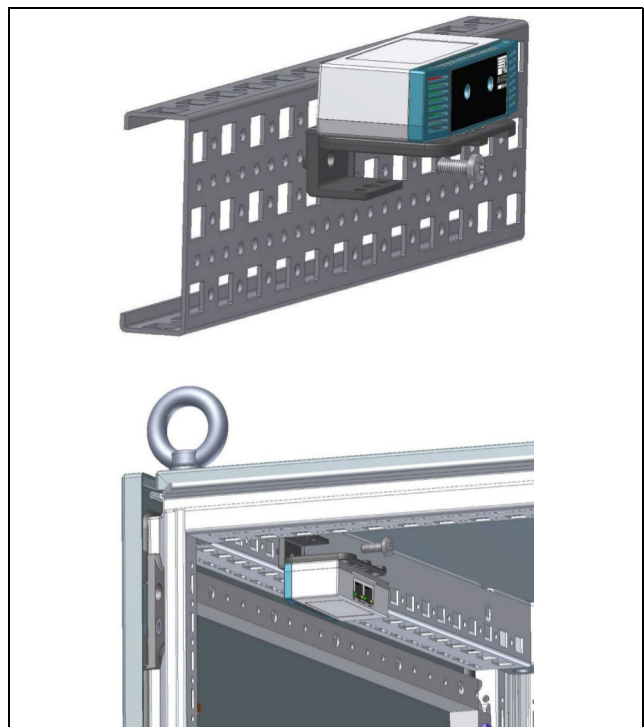


Fig. 4: Mounting the sensor in the enclosure or IT enclosure

#### 5.3.3 Installation on a top-hat rail

The sensor can also be mounted on a top-hat rail using the bracket along with the spring clip included in the scope of delivery.

- First screw the bracket onto the spring clip provided for installation on a top-hat rail.

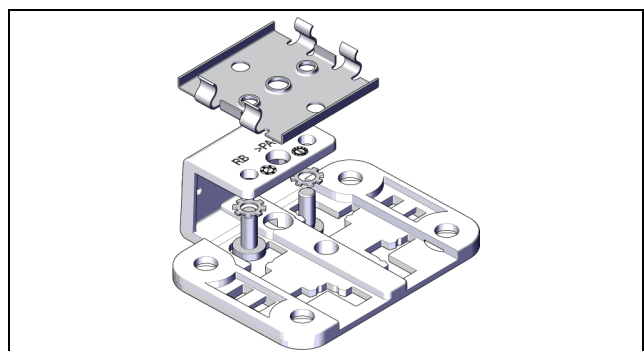


Fig. 5: Fastening the bracket to the spring clip



- Then place the universal sensor on the bracket (fig. 2) and latch it in place (fig. 3).
- Latch the spring clip into place at the desired position on the top-hat rail.

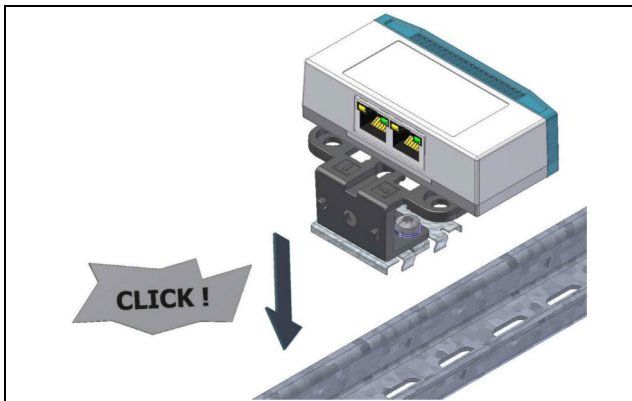


Fig. 6: Fastening the spring clip to the top-hat rail


## 5.4 Connecting the sensor

The CAN bus connection supplies the universal sensor with the necessary operating voltage. A separate power supply unit does not need to be connected.

- Connect an external device to the universal interface as per the following descriptions (fig. 7, item 4).
- Observe the pin assignment of the universal interface.

Pin	Signal
Pin 1	+24 V
Pin 2	GND
Pin 3	4 mA...20 mA input
Pin 4	4 mA...20 mA GND
Pin 5	Digital Input 1
Pin 6	Digital Input 2

Tab. 1: Pin allocation of the universal interface

 **Note:**  
You can also connect multiple devices to the universal interface if the pin allocation permits this (see section 3.1.1 "Function").

### Digital inputs

- Connect a potential-free switching contact (Digital Input 1) to Pin 5.  
This enables the fault message output from an external device to be evaluated, for example.
- If necessary, connect a second potential-free switching contact (Digital Input 2) to Pin 6.
- Configure the digital inputs depending on whether a normally closed or normally open contact is connected to the associated connection (see section 6.4.2 "Interface" and section 6.4.4 "Input\_1 or Input\_2").

### S<sub>0</sub> bus energy counter

- Connect an energy counter with an S<sub>0</sub> interface (EnergyMeter\_1) to Pin 2 and Pin 5.
- If necessary, connect a second energy counter with an S<sub>0</sub> interface (EnergyMeter\_2) to Pin 2 and Pin 6.
- Configure the energy counter (see section 6.4.2 "Interface" and section 6.4.5 "EnergyMeter\_1 and EnergyMeter\_2").

### Wiegand interface

- Connect a reading device with a Wiegand interface (Wiegand) to Pin 5 and Pin 6.
- If necessary, use Pin 1 and Pin 2 as a 24 V interface for the reading device.
- Configure the reading device (see section 6.4.2 "Interface").

- Use a CAN bus connection cable to connect the universal sensor to a CAN bus interface on the CMC III Processing Unit or the neighbouring component on the CAN bus (fig. 7, item 2).

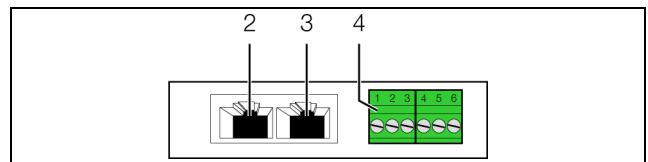


Fig. 7: Rear of the universal sensor


### Key

- 1 CAN bus connection, 24 V ---
- 2 CAN bus connection, 24 V ---
- 3 Universal interface

The following CAN bus connection cables from the CMC III accessories can be used:

- 7030.090 (length 0.5 m)
- 7030.091 (length 1 m)
- 7030.092 (length 1.5 m)
- 7030.093 (length 2 m)
- 7030.480 (length 3 m)
- 7030.490 (length 4 m)
- 7030.094 (length 5 m)
- 7030.095 (length 10 m)

The software is updated, if necessary, after being connected. The status LED of the universal sensor glows blue throughout the entire update process and also flashes purple while the sensor itself receives an update. In addition, the status LED of the CMC III Processing Unit flashes white and a corresponding message appears on the website.

 **Note:**  
No settings can be modified as long as the update process is running.

# 5 Installation

---

EN

The update of the sensor is complete when the following conditions have been fulfilled:

1. The LEDs on the CAN bus connection of the sensor light green.
2. The multi-LED of the sensor behind the front panel flashes blue and green, yellow or red, depending on the condition of the sensor.

Further components are connected as a daisy chain.

- If necessary, connect another component (e.g. another sensor type) to the second, free CAN bus interface of the universal sensor (fig. 7, item 3).

### **Status change display:**

- The two green and the two red CAN bus LEDs on the CAN bus connection flash.
  - The multi-LED of the Processing Unit flashes continually in the sequence green – orange – red.
  - The multi-LED of the universal sensor flashes blue continuously.
- Press the "C" key on the CMC III Processing Unit (an initial audio signal will sound) and keep it pressed for approx. 3 seconds until a second audio signal is heard.



Note:

See section 6.3.1 "Multi-LED displays" for a list of all of the multi-LED displays.

---

## 6 Operation

### 6.1 Activating the universal sensor

After connecting the universal sensor to a neighbouring component using a CAN bus connecting cable, the universal sensor starts automatically (see section 5.4 "Connecting the sensor"). A separate switch-on is not required.

### 6.2 Operating and display elements

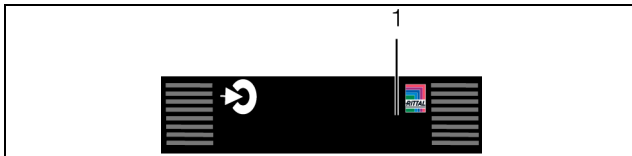


Fig. 8: Front of the universal sensor

#### Key

1 Multi-LED for status display

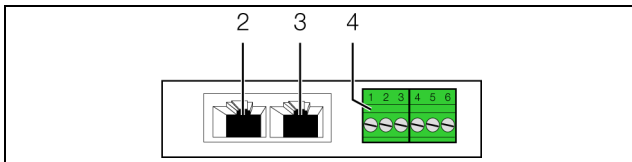


Fig. 9: Rear of the universal sensor

#### Key

1 CAN bus connection, 24 V  $\overline{\text{---}}$   
 2 CAN bus connection, 24 V  $\overline{\text{---}}$   
 3 Universal interface

### 6.3 LED displays

A multi-LED for the status display is integrated into the front of the universal sensor (fig. 8, item 1). Further LEDs are located at the rear on the CAN bus connection (fig. 9, item 2 and item 3).

#### 6.3.1 Multi-LED displays

The status of the universal sensor can be read on the multi-LED.

#### Continuously lit

Colour	Status
Red	Invalid measured value

Tab. 2: Multi-LED continuously lit

#### Flashing codes

Colour	Status
Green	When the measured value changes or, at the latest, every 5 seconds.

Tab. 3: Multi-LED flashing codes

Colour	Status
Orange	The universal sensor has the "warning" status. Fast flashing: upper limit value overshoot. Slow flashing: lower limit value undershoot.
Red	The universal sensor has the "alarm" status. Fast flashing: upper limit value overshoot. Slow flashing: lower limit value undershoot.
Blue	Communication via the CAN bus.

Tab. 3: Multi-LED flashing codes

### 6.3.2 LED displays on the CAN bus connection

A red and a green LED are located on the CAN bus connection. They display the status of the CAN bus.

Colour	Status
Green (continuously lit)	Communication via the CAN bus possible.
Red (flashing)	Transmission fault.

Tab. 4: LEDs for the CAN bus connection

### 6.4 Operating the CMC III Processing Unit from the website

After logging on to the CMC III Processing Unit, the web interface for operating the device is displayed.

- First select the "CMCIII-UNI" entry in the navigation area.

Similar to the CMC III Processing Unit, the **Configuration** tab can be used to individually configure the access rights for the universal sensor (**Access Rights** button) and the alarm messages (**Alarm Configuration** button).

The Observation tab is used to configure all of the settings for the universal sensor, such as the limit values for warning and alarm messages.

In the following sections 6.4.1 "Device" to 6.4.5 "EnergyMeter\_1 and EnergyMeter\_2", only those parameters which you can modify are described. There are also display values that provide information.

#### 6.4.1 Device

General settings for the universal sensor are configured at the "Device" level.

Parameter	Explanation
Description	Specific description of the universal sensor.
Location	Installation location of the universal sensor.

Tab. 5: Settings in the "Device" level

# 6 Operation

EN

In addition, parameters that provide detailed information about the universal sensor, such as the version of the deployed software and hardware, are also displayed. You should have such information available, in particular to permit fast troubleshooting of queries with Rittal.


## 6.4.2 Interface

The desired interface type for the two inputs is configured on the "Interface" level.

Parameter	Explanation
Config	Select the Interface type. The following options are available. Digital Input: Digital input S0 Interface: Energy counter with S <sub>0</sub> interface Wiegand: Reading device with Wiegand interface

Tab. 6: Settings in the "Interface" level

The status for the "Input\_1", "Input\_2", "EnergyMeter\_1" and "EnergyMeter\_2" levels changes in accordance with the selection.

 **Note:** If you connect a reading device with a Wiegand interface to the universal sensor then you must select the "Wiegand" entry for **both** inputs. No further settings need to be made for the reading device.

## 6.4.3 Airflow (analogue)

The settings for the analogue sensor are configured at the "Airflow (analogue)" level.


Parameter	Explanation
DescName	Specific description of the analogue sensor.
SetPtHigh-Alarm	Upper limit for which an alarm message is issued when exceeded.
SetPtHigh-Warning	Upper limit for which a warning message is issued when exceeded.
SetPtLow-Warning	Lower limit for which a warning message is issued when fallen below.
SetPtLow-Alarm	Lower limit for which an alarm message is issued when fallen below.
Hysteresis	The necessary percentage deviation for falling below or exceeding the limit to trigger a status change (see the assembly, installation and operating instructions for the CMC III Processing Unit).

Tab. 7: Settings in the "Airflow (analogue)" level

The following parameters are also displayed for the analogue sensor:

Parameter	Explanation
Value	Currently measured value.
Status	Current status of the sensor, taking account of the hysteresis.

Tab. 8: Displays in the "Airflow (analogue)" level

 **Note:** If the value "0" is entered for all limit values at the "Analogue" level, the status of the analogue sensor is always "OK".

If "0" is not entered for all of the limit values, then the measurement value is evaluated as follows:

Current [mA]	Value	Status
$I < 3.00$	0%	24 (MSG_PROBE_OPEN)
$3.00 < I < 4.00$	0%	OK / warning / alarm
$4.00 \leq I \leq 20.00$	X%	OK / warning / alarm
$20.00 < I < 21.00$	100%	OK / warning / alarm
$21.00 < I$	0%	26 (MSG_PROBE_SHORT)

Tab. 9: Evaluation of the measurement value

## 6.4.4 Input\_1 or Input\_2

The separate settings for the two integrated digital inputs are configured at the "Input\_1" and "Input\_2" levels. The "Digital Input" entry must have been selected on the "Interface" level.

Parameter	Explanation
DescName	Specific description of the associated input.
Logic	Selection of the input switching logic. The following options are available. 0: Off / 1: On 0: On / 1: Off 0: OK / 1: Alarm 0: Alarm / 1: OK
Delay	Time delay after which the status message changes.

Tab. 10: Settings in the "Input\_1" and "Input\_2" levels

The following parameters are also displayed for the two inputs:

Parameter	Explanation
Value	The current state of the input (0 or 1).

Tab. 11: Displays in the "Input\_1" and "Input\_2" levels

Parameter	Explanation
Status	"Inactive" is displayed if the S <sub>0</sub> interface or the Wiegand interface is activated. When digital input is activated, this displays the status as per the "Logic" parameter (depending on the actual state of the input).

Tab. 11: Displays in the "Input\_1" and "Input\_2" levels

#### 6.4.5 EnergyMeter\_1 and EnergyMeter\_2

The settings for the two energy counters are configured separately on the "EnergyMeter\_1" and "EnergyMeter\_2" levels. The "S0 Interface" entry must have been selected on the "Interface" level.

Parameter	Explanation
DescName	Specific description of the energy counter.
S <sub>0</sub> _Factor	Number of pulses per kWh.

Tab. 12: Settings in the "EnergyMeter\_1" and "EnergyMeter\_2" levels

The following parameters are also displayed for the two energy counters:

Parameter	Explanation
Value	Currently measured energy value.
Status	"Inactive" is displayed if the digital input or the Wiegand interface is activated. "Active" is displayed if the S <sub>0</sub> interface is activated.

Tab. 13: Displays in the "EnergyMeter\_1" and "EnergyMeter\_2" levels

# 7 Storage and disposal

---

EN

## 7 Storage and disposal

### 7.1 Storage

If the device is not used for a long period, Rittal recommends that it is disconnected from the mains power supply and protected from damp and dust.

### 7.2 Disposal

Since the universal sensor consists mainly of the "housing" and "circuit board" parts, the device must be passed on to the electronic waste recycling system for disposal.

## 8 Technical specifications

Technical specifications		CMC III universal sensor
Model no.		7030.190
W x H x D (mm)		110 x 30 x 40
Operating temperature range		0°C...+55°C
Storage temperature		-45°C...+85°C
Operating humidity range		5%...95% relative humidity, non-condensing
Protection category		IP 30 to IEC 60 529
Inputs and outputs	CAN bus (RJ 45)	2 x
	Universal interface	1 x
Operation/signals	LED display	OK / warning / alarm / network status

Tab. 14: Technical specifications

## 9 Customer service addresses

---

EN

### **9 Customer service addresses**

For technical queries, please contact:

Tel.: +49(0)2772 505-9052

E-mail: [info@rittal.com](mailto:info@rittal.com)

Homepage: [www.rittal.com](http://www.rittal.com)

For complaints or service requests, please contact:

Tel.: +49(0)2772 505-1855

E-mail: [service@rittal.de](mailto:service@rittal.de)





# Rittal – The System.

---

**Faster – better – everywhere.**

- Enclosures
- Power Distribution
- Climate Control
- IT Infrastructure
- Software & Services

RITTAL GmbH & Co. KG  
Postfach 1662 · D-35726 Herborn  
Phone +49(0)2772 505-0 · Fax +49(0)2772 505-2319  
E-mail: [info@rittal.de](mailto:info@rittal.de) · [www.rittal.com](http://www.rittal.com)

ENCLOSURES

POWER DISTRIBUTION

CLIMATE CONTROL

IT INFRASTRUCTURE

SOFTWARE & SERVICES



FRIEDHELM LOH GROUP